

**PRO**  
PROFESSIONAL  
LED

"The best is yet to Light"



**Recessed**

**JISO**  
ILUMINACION  
SPAIN

# TECHNICAL INDOOR



# DOWNLIGHT RECESSED



Siempre una solución para todos tus tipos de proyectos  
*Always a solution for all your types of projects*

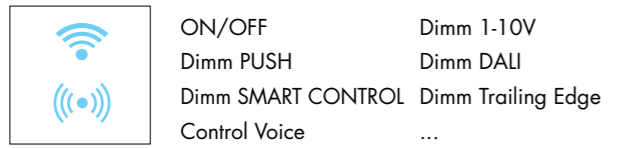
### Warranty



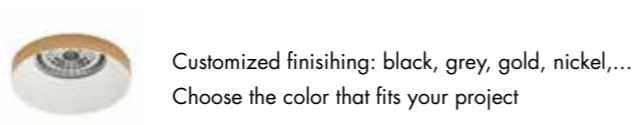
### Solutions in sizes and embedments



### Regulations and control solutions



### Finishing solutions



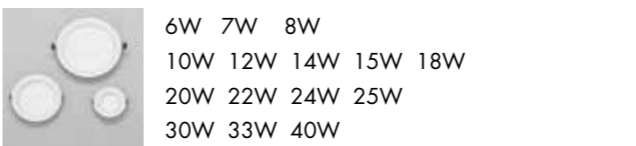
### Solutions ON/OFF

Ref	Driver	Warranty
29	ON-OFF. Non Dimmable	3
21	ON-OFF. Non Dimmable	5
23	ON-OFF. Non Dimmable	5

### Dimmable solutions

Ref	Driver	Warranty
51	Dimm. Trailing Edge	5
37	Dimm. 1-10V	5
47	Dimm. 1-10V/DALI/PUSH	5

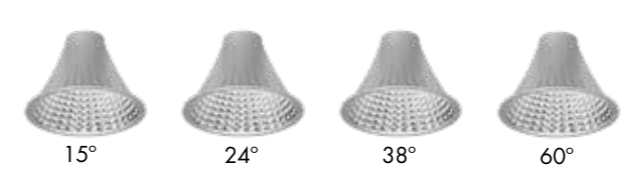
### Solutions for all powers



### Solutions in ranges and designs



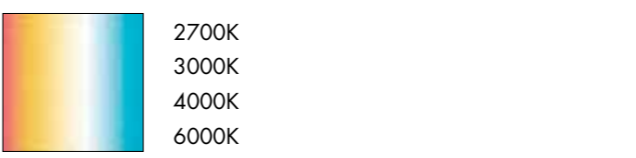
### Solutions for specific openings



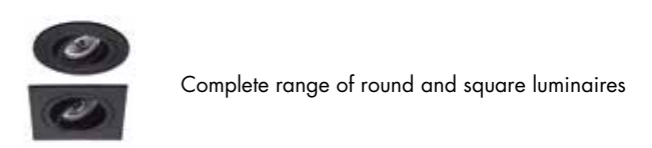
### Sealing solutions



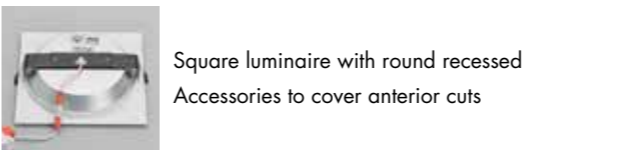
### Color temperature solutions



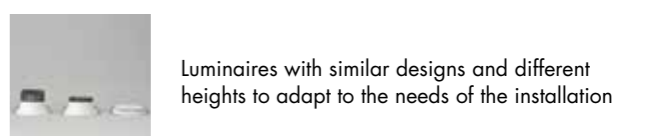
### Solutions in shapes

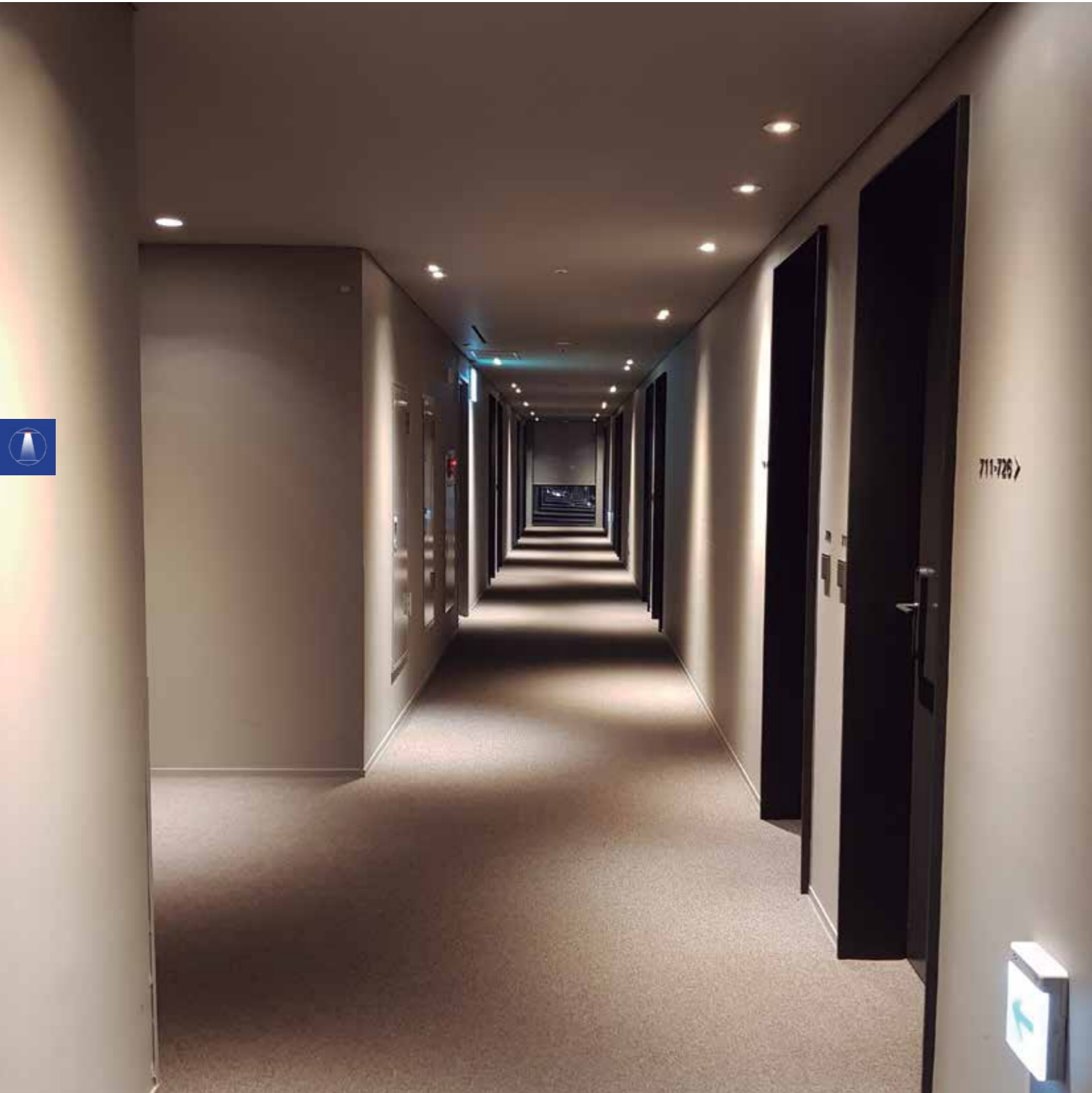


### Embedding solutions



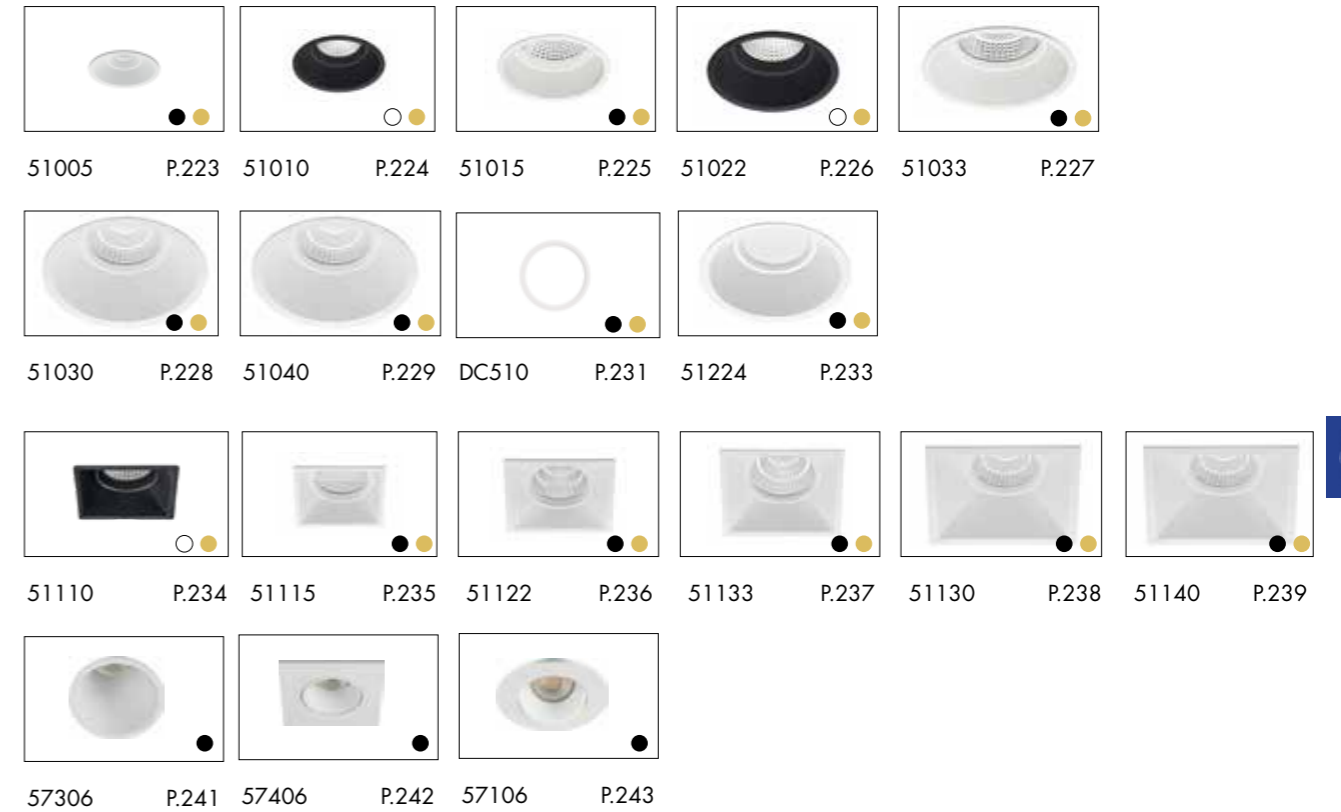
### Height solutions





## UGR/Ambience

### Light Integrated LED P.220



### Light Without Technology P.244



Available ● Black/Negro/Noir ● Tech. Gold/Oro Técnico/Or Satiné



DC510



40W / 30W 225mm

30W 160mm

22W 130mm

15W 105mm

10W 82mm

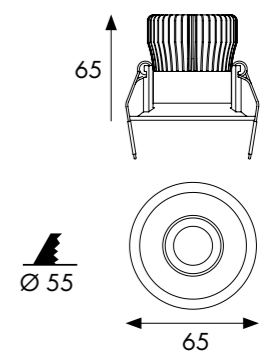
5W 65mm

## 51005

Downlight LED UGR/ambiente  
Downlight LED UGR/ambiente  
Downlight LED UGR/d'ambiance



Compatible lighting with installations that require UGR<19



## 510 05 - 21 5 3 - 90

1 - Model	2 - W	3 - Driver	4 - Brand Chip	5 - K	6 - Color
510	5	21 - ON-OFF AC220-240V PF >0,9	5 - Edison	3 - 3000 430 Lm System 661 Lm Source 4 - 4000 451 Lm System 675 Lm Source	01 Black / Negro / Noir 04 Aluminium / Aluminio / Aluminium 09 Tec. Gold / Oro Téc. / Tech. Or 90 T. White / Blanco T. / Blanc T.

LED CHIP: COB - CRI>80 - L70 / 50.000H - 123 lm/W (4000K) - RG1

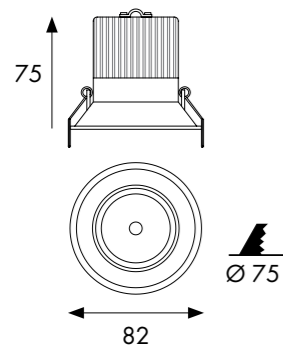


The above information is basic. For updated and more accurate information, please consult Technical Data Sheet on [www.jisoiluminacion.com](http://www.jisoiluminacion.com)  
Consult general issues - [www.jisoiluminacion.com](http://www.jisoiluminacion.com) (Download - Technical Information)



## 51010

Downlight LED UGR/ambiente  
Downlight LED UGR/ambience  
Downlight LED UGR/d'ambiance



Compatible lighting with installations that require UGR<19

### 510 10 - 21 5 4 - 90

1 - Model	2 - W	3 - Driver	4 - Brand Chip	5 - K	6 - Color												
510	10	<ul style="list-style-type: none"> <li>21 - ON-OFF AC220-240V PF &gt;0,9</li> <li>23 - ON-OFF AC220-240V PF &gt;0,95</li> <li>37 - 1-10V AC200-240V PF &gt;0,95</li> <li>51 - Trailing Edge AC220-240V PF &gt;0,95</li> <li>D7 - DALI/PUSH AC200-240V PF &gt;0,95</li> <li>SMART CONTROL See Page. 414</li> </ul>	5 - Edison	<ul style="list-style-type: none"> <li>2 - 2700K 872 Lm System 1353 Lm Source</li> <li>3 - 3000 894 Lm System 1353 Lm Source</li> <li>4 - 4000 939 Lm System 1380 Lm Source</li> </ul>	<ul style="list-style-type: none"> <li>01 Black / Negro / Noir</li> <li>04 Aluminium / Aluminio / Aluminium</li> <li>09 Tec. Gold / Oro Téc. / Tech. Or</li> <li>90 T. White / Blanco T. / Blanc T.</li> </ul>												
<p>▼ Accessories not included</p> <p>Trim to cover hole</p> <p>DC51010 - 75-90</p> <p>- Degree</p> <table border="1"> <thead> <tr> <th>Included</th> <th>Optional</th> <th>Optional</th> </tr> </thead> <tbody> <tr> <td>60°</td> <td>I - 24°</td> <td>M - 38°</td> </tr> </tbody> </table> <p>Emergency Kit</p> <table border="1"> <tbody> <tr> <td>2DCLEDK1</td> <td>TCl</td> <td>1 h</td> </tr> <tr> <td>2DCLEDK2</td> <td>TCl</td> <td>3 h</td> </tr> </tbody> </table>						Included	Optional	Optional	60°	I - 24°	M - 38°	2DCLEDK1	TCl	1 h	2DCLEDK2	TCl	3 h
Included	Optional	Optional															
60°	I - 24°	M - 38°															
2DCLEDK1	TCl	1 h															
2DCLEDK2	TCl	3 h															

LED CHIP: COB - CRI>80 - L70B10 / 50.000H - 138lm/W (4000K) - RG1



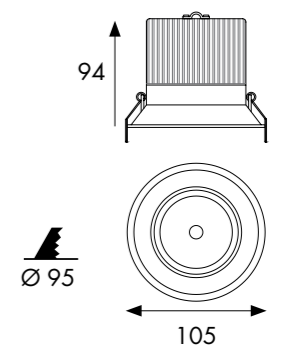
The above information is basic. For updated and more accurate information, please consult Technical Data Sheet on [www.jisoiluminacion.com](http://www.jisoiluminacion.com)  
 Consult general issues - [www.jisoiluminacion.com](http://www.jisoiluminacion.com) (Download - Technical Information)  
 Consult Instructions Emergency kit on [www.jisoiluminacion.com](http://www.jisoiluminacion.com)  
 Consult instructions to Driver configuration - page 470  
 Consult instructions to Driver dimmable Trailing Edge, 1-10V, DALI and Push - [www.jisoiluminacion.com](http://www.jisoiluminacion.com) (Download - Technical Information)  
 Consult instructions to Driver dimmable Smart Control - page 414

## 51015

Downlight LED UGR/ambiente  
Downlight LED UGR/ambience  
Downlight LED UGR/d'ambiance



Compatible lighting with installations that require UGR<19



### 510 15 - 21 5 4 - 90

1 - Model	2 - W	3 - Driver	4 - Brand Chip	5 - K	6 - Color																		
510	15	<ul style="list-style-type: none"> <li>21 - ON-OFF AC220-240V PF &gt;0,9</li> <li>23 - ON-OFF AC220-240V PF &gt;0,95</li> <li>47 - DALI/PUSH/1-10V AC200-240V PF &gt;0,95</li> <li>51 - Trailing Edge AC220-240V PF &gt;0,9</li> <li>SMART CONTROL See Page. 414</li> </ul>	5 - Edison	<ul style="list-style-type: none"> <li>3 - 3000 1531 Lm System 1719 Lm Source</li> <li>4 - 4000 1615 Lm System 1753 Lm Source</li> </ul>	<ul style="list-style-type: none"> <li>01 Black / Negro / Noir</li> <li>04 Aluminium / Aluminio / Aluminium</li> <li>09 Tec. Gold / Oro Téc. / Tech. Or</li> <li>90 T. White / Blanco T. / Blanc T.</li> </ul>																		
<p>▼ Accessories not included</p> <p>Trim to cover hole</p> <p>DC51015 - 95-110</p> <p>- Degree</p> <table border="1"> <thead> <tr> <th>Included</th> <th>Optional</th> <th>Optional</th> </tr> </thead> <tbody> <tr> <td>60°</td> <td>I - 24°</td> <td>M - 38°</td> </tr> </tbody> </table> <p>Emergency Kit</p> <table border="1"> <tbody> <tr> <td>2DCLEDK1</td> <td></td> <td>1 h</td> </tr> <tr> <td>2DCLEDK2</td> <td></td> <td>3 h</td> </tr> <tr> <td>2DCLEDK5</td> <td></td> <td>3 h</td> </tr> <tr> <td>2DCLEDK29</td> <td></td> <td>3 h</td> </tr> </tbody> </table>						Included	Optional	Optional	60°	I - 24°	M - 38°	2DCLEDK1		1 h	2DCLEDK2		3 h	2DCLEDK5		3 h	2DCLEDK29		3 h
Included	Optional	Optional																					
60°	I - 24°	M - 38°																					
2DCLEDK1		1 h																					
2DCLEDK2		3 h																					
2DCLEDK5		3 h																					
2DCLEDK29		3 h																					

LED CHIP: COB - CRI>80 - L70B10 / 50.000H - 116lm/W (4000K) - RG1

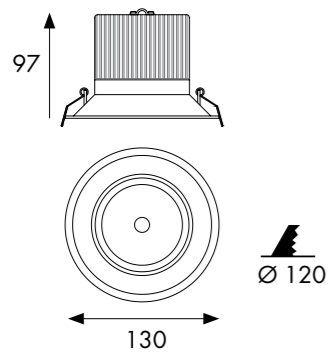


The above information is basic. For updated and more accurate information, please consult Technical Data Sheet on [www.jisoiluminacion.com](http://www.jisoiluminacion.com)  
 Consult general issues - [www.jisoiluminacion.com](http://www.jisoiluminacion.com) (Download - Technical Information)  
 Consult Instructions Emergency kit on [www.jisoiluminacion.com](http://www.jisoiluminacion.com)  
 Consult instructions to Driver configuration - page 470  
 Consult instructions to Driver dimmable Trailing Edge, 1-10V, DALI and Push - [www.jisoiluminacion.com](http://www.jisoiluminacion.com) (Download - Technical Information)  
 Consult instructions to Driver dimmable Smart Control - page 414



51022

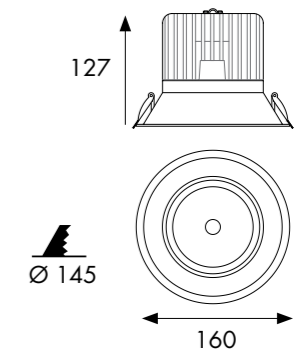
Downlight LED UGR/ambiente  
Downlight LED UGR/ambiente  
Downlight LED UGR/d'ambiance



Compatible lighting with installations that require UGR<19

51033

Downlight LED UGR/ambiente  
Downlight LED UGR/ambiente  
Downlight LED UGR/d'ambiance



Compatible lighting with installations that require UGR<19

510 22 - 21 5 4 - 90  
1 2 3 4 5 6

1 - Model	2 - W	3 - Driver	4 - Brand Chip	5 - K	6 - Color
510	22	<ul style="list-style-type: none"> <li>21 - ON-OFF AC220-240V PF &gt;0,95</li> <li>23 - ON-OFF AC220-240V PF &gt;0,95</li> <li>47 - DALI/PUSH/1-10V AC200-240V PF &gt;0,95</li> <li>51 - Trailing Edge AC220-240V PF &gt;0,9</li> <li>SMART CONTROL See Page. 414</li> </ul>	5 - Edison	<ul style="list-style-type: none"> <li>3 - 3000 2090 Lm System 2544 Lm Source</li> <li>4 - 4000 2200 Lm System 2600 Lm Source</li> </ul>	<ul style="list-style-type: none"> <li>01 Black / Negro / Noir</li> <li>04 Aluminium / Aluminio / Aluminium</li> <li>09 Tec. Gold / Oro Téc. / Tech. Or</li> <li>90 T. White / Blanco T. / Blanc T.</li> </ul>

▼ Accessories not included

Trim to cover hole		
DC51022	▲	120-130
▲ - Degree		
Included	Optional	Optional
60°	1-24°	M-38°
Emergency Kit		
2DCLEDK1	1 h	
2DCLEDK2	3 h	
2DCLEDK5	3 h	
2DCLEDK29	3 h	

LED CHIP: COB - CRI>80 - L70B10 / 50.000H - 108lm/W (4000K) - RGO



The above information is basic. For updated and more accurate information, please consult Technical Data Sheet on [www.jisoiluminacion.com](http://www.jisoiluminacion.com)  
 Consult general issues - [www.jisoiluminacion.com](http://www.jisoiluminacion.com) (Download - Technical Information)  
 Consult Instructions Emergency kit on [www.jisoiluminacion.com](http://www.jisoiluminacion.com)  
 Consult instructions to Driver configuration - page 470  
 Consult instructions to Driver dimmable Trailing Edge, 1-10V, DALI and Push - [www.jisoiluminacion.com](http://www.jisoiluminacion.com) (Download - Technical Information)  
 Consult instructions to Driver dimmable Smart Control - page 414

510 33 - 21 5 4 - 90  
1 2 3 4 5 6

1 - Model	2 - W	3 - Driver	4 - Brand Chip	5 - K	6 - Color
510	30	<ul style="list-style-type: none"> <li>21 - ON-OFF AC220-240V PF &gt;0,9</li> <li>23 - ON-OFF AC220-240V PF &gt;0,95</li> <li>47 - DALI/PUSH/1-10V AC200-240V PF &gt;0,95</li> <li>51 - Trailing Edge AC220-240V PF &gt;0,9</li> <li>SMART CONTROL See Page. 414</li> </ul>	5 - Edison	<ul style="list-style-type: none"> <li>3 - 3000 2753 Lm System 3562 Lm Source</li> <li>4 - 4000 2909 Lm System 3640 Lm Source</li> </ul>	<ul style="list-style-type: none"> <li>01 Black / Negro / Noir</li> <li>04 Aluminium / Aluminio / Aluminium</li> <li>09 Tec. Gold / Oro Téc. / Tech. Or</li> <li>90 T. White / Blanco T. / Blanc T.</li> </ul>

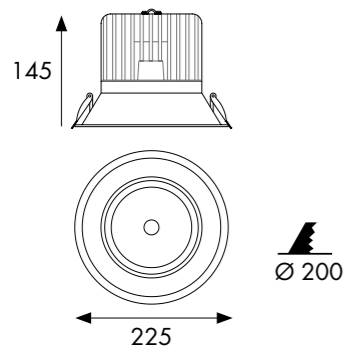
▼ Accessories not included

Trim to cover hole		
DC51022	▲	120-130
▲ - Degree		
Included	Optional	Optional
60°	1-24°	M-38°
Emergency Kit		
2DCLEDK1	1 h	
2DCLEDK2	3 h	
2DCLEDK5	3 h	
2DCLEDK29	3 h	

LED CHIP: COB - CRI>80 - L70B10 / 50.000H - 120lm/W (4000K) - RGO



The above information is basic. For updated and more accurate information, please consult Technical Data Sheet on [www.jisoiluminacion.com](http://www.jisoiluminacion.com)  
 Consult general issues - [www.jisoiluminacion.com](http://www.jisoiluminacion.com) (Download - Technical Information)  
 Consult Instructions Emergency kit on [www.jisoiluminacion.com](http://www.jisoiluminacion.com)  
 Consult instructions to Driver configuration - page 470  
 Consult instructions to Driver dimmable Trailing Edge, 1-10V, DALI and Push - [www.jisoiluminacion.com](http://www.jisoiluminacion.com) (Download - Technical Information)  
 Consult instructions to Driver dimmable Smart Control - page 414

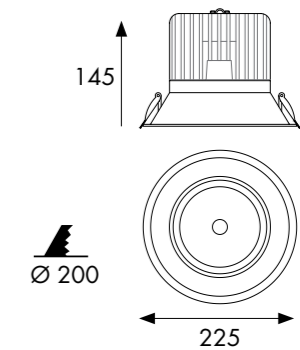


## 51030

Downlight LED UGR/ambiente  
Downlight LED UGR/ambiente  
Downlight LED UGR/d'ambiance



Compatible lighting with installations that require UGR<19



## 51040

Downlight LED UGR/ambiente  
Downlight LED UGR/ambiente  
Downlight LED UGR/d'ambiance



Compatible lighting with installations that require UGR<19

## 510 30 - 21 5 4 - 90

1 - Model	2 - W	3 - Driver	4 - Brand Chip	5 - K	6 - Color
510	30	<ul style="list-style-type: none"> <li>21 - ON-OFF AC220-240V PF &gt;0,9</li> <li>23 - ON-OFF AC220-240V PF &gt;0,95</li> <li>47 - DALI/PUSH/1-10V AC200-240V PF &gt;0,95</li> <li>51 - Trailing Edge AC220-240V PF &gt;0,9</li> <li>SMART CONTROL See Page. 414</li> </ul>	5 - Edison	<ul style="list-style-type: none"> <li>3 - 3000 2990 Lm System 3818 Lm Source</li> <li>4 - 4000 3003 Lm System 4021 Lm Source</li> </ul>	<ul style="list-style-type: none"> <li>01 Black / Negro / Noir</li> <li>04 Aluminium / Aluminio / Aluminium</li> <li>09 Tec. Gold / Oro Téc. / Tech. Or</li> <li>90 T. White / Blanco T. / Blanc T.</li> </ul>

### ▼ Accessories not included

Trim to cover hole		
○ DC51040-▲ 200-230		
▲ - Degree		
Included	Optional	Optional
60°	I - 24°	M - 38°
Emergency Kit		
2DCLEDK1	1 h	
2DCLEDK2	3 h	
2DCLEDK5	3 h	
2DCLEDK29	3 h	

LED CHIP: COB - CRI>80 - L70B10 / 50.000H - 120lm/W (4000K) - RGO



The above information is basic. For updated and more accurate information, please consult Technical Data Sheet on [www.jisoiluminacion.com](http://www.jisoiluminacion.com)  
 Consult general issues - [www.jisoiluminacion.com](http://www.jisoiluminacion.com) (Download - Technical Information)  
 Consult Instructions Emergency kit on [www.jisoiluminacion.com](http://www.jisoiluminacion.com)  
 Consult instructions to Driver configuration - page 470  
 Consult instructions to Driver dimmable Trailing Edge, 1-10V, DALI and Push - [www.jisoiluminacion.com](http://www.jisoiluminacion.com) (Download - Technical Information)  
 Consult instructions to Driver dimmable Smart Control - page 414

## 510 40 - 21 5 4 - 90

1 - Model	2 - W	3 - Driver	4 - Brand Chip	5 - K	6 - Color
510	40	<ul style="list-style-type: none"> <li>21 - ON-OFF AC220-240V PF &gt;0,9</li> <li>23 - ON-OFF AC220-240V PF &gt;0,95</li> <li>37 - 1-10V AC200-240V PF &gt;0,95</li> <li>51 - Trailing Edge (36W) AC220-240V PF &gt;0,9</li> <li>D7 - DALI/PUSH AC200-240V PF &gt;0,95</li> <li>SMART CONTROL See Page. 414</li> </ul>	5 - Edison	<ul style="list-style-type: none"> <li>3 - 3000 4217 Lm System 5454 Lm Source</li> <li>4 - 4000 4326 Lm System 5744 Lm Source</li> </ul>	<ul style="list-style-type: none"> <li>01 Black / Negro / Noir</li> <li>04 Aluminium / Aluminio / Aluminium</li> <li>09 Tec. Gold / Oro Téc. / Tech. Or</li> <li>90 T. White / Blanco T. / Blanc T.</li> </ul>

### ▼ Accessories not included

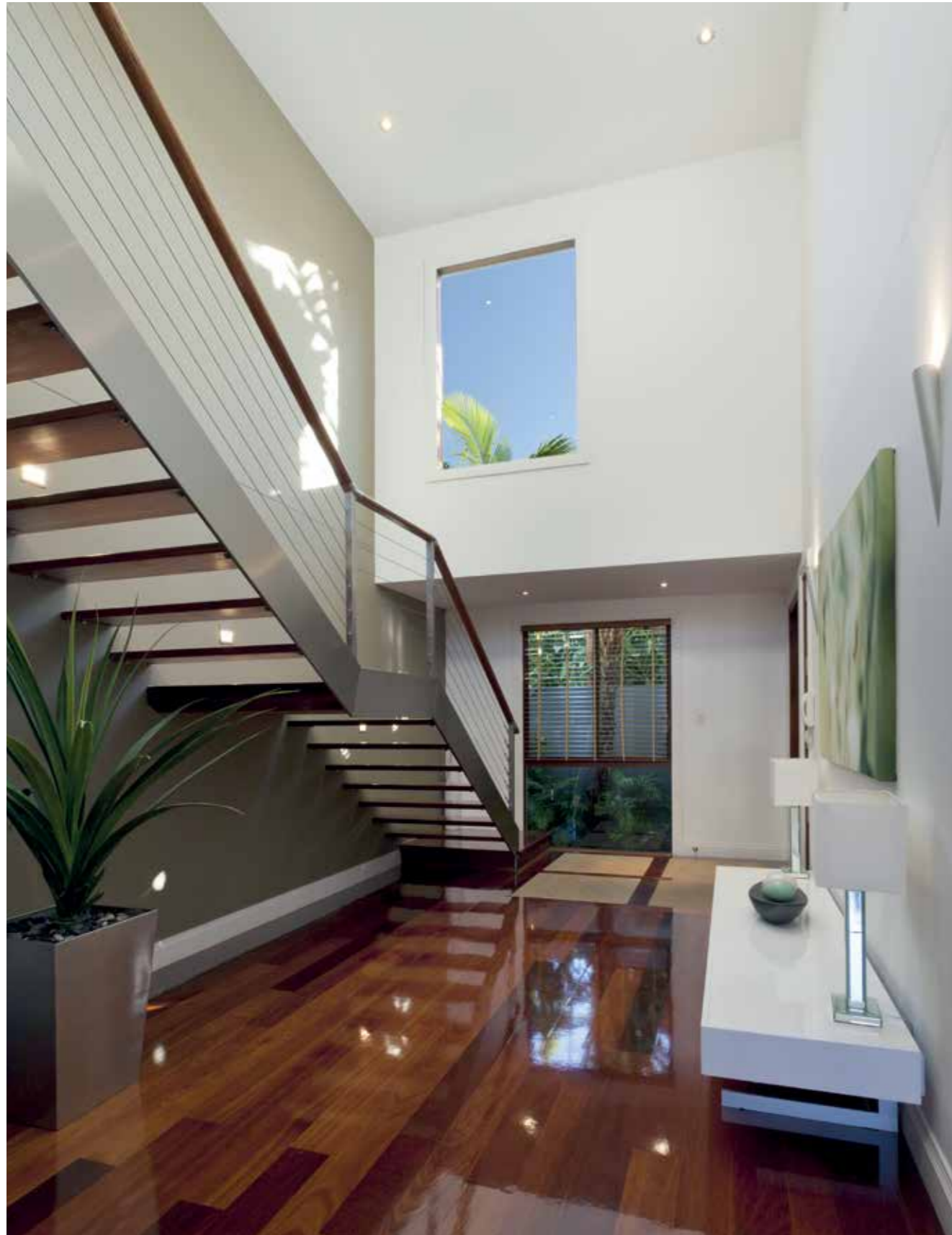
Trim to cover hole		
○ DC51040-▲ 200-230		
▲ - Degree		
Included	Optional	Optional
60°	I - 24°	M - 38°
Emergency Kit		
2DCLEDK1	1 h	
2DCLEDK2	3 h	
2DCLEDK5	3 h	
2DCLEDK29	3 h	

LED CHIP: COB - CRI>80 - L70B10 / 50.000H - 122lm/W (4000K) - RGO



The above information is basic. For updated and more accurate information, please consult Technical Data Sheet on [www.jisoiluminacion.com](http://www.jisoiluminacion.com)  
 Consult general issues - [www.jisoiluminacion.com](http://www.jisoiluminacion.com) (Download - Technical Information)  
 Consult Instructions Emergency kit on [www.jisoiluminacion.com](http://www.jisoiluminacion.com)  
 Consult instructions to Driver configuration - page 470  
 Consult instructions to Driver dimmable Trailing Edge, 1-10V, DALI and Push - [www.jisoiluminacion.com](http://www.jisoiluminacion.com) (Download - Technical Information)  
 Consult instructions to Driver dimmable Smart Control - page 414





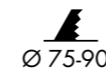
## DC510

Aro embellecedor redondo  
Round trim ring  
Cadre enjoliveur rond

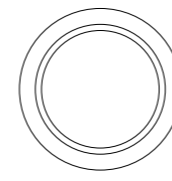


4 | 2

DC51010



Ø 75-90

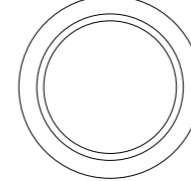


C 79  
B 83,5  
A 96

DC51015



Ø 95-110

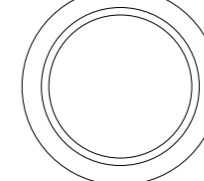


C 100  
B 105,5  
A 118,5

DC51022

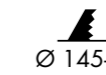


Ø 120-130

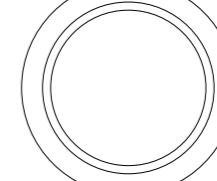


C 120  
B 130  
A 137,5

DC51033



Ø 145-165

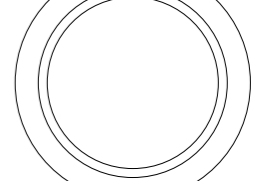


C 151,5  
B 160  
A 172,5

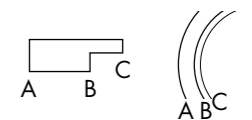
DC51040



Ø 200-230



C 218  
B 225  
A 239



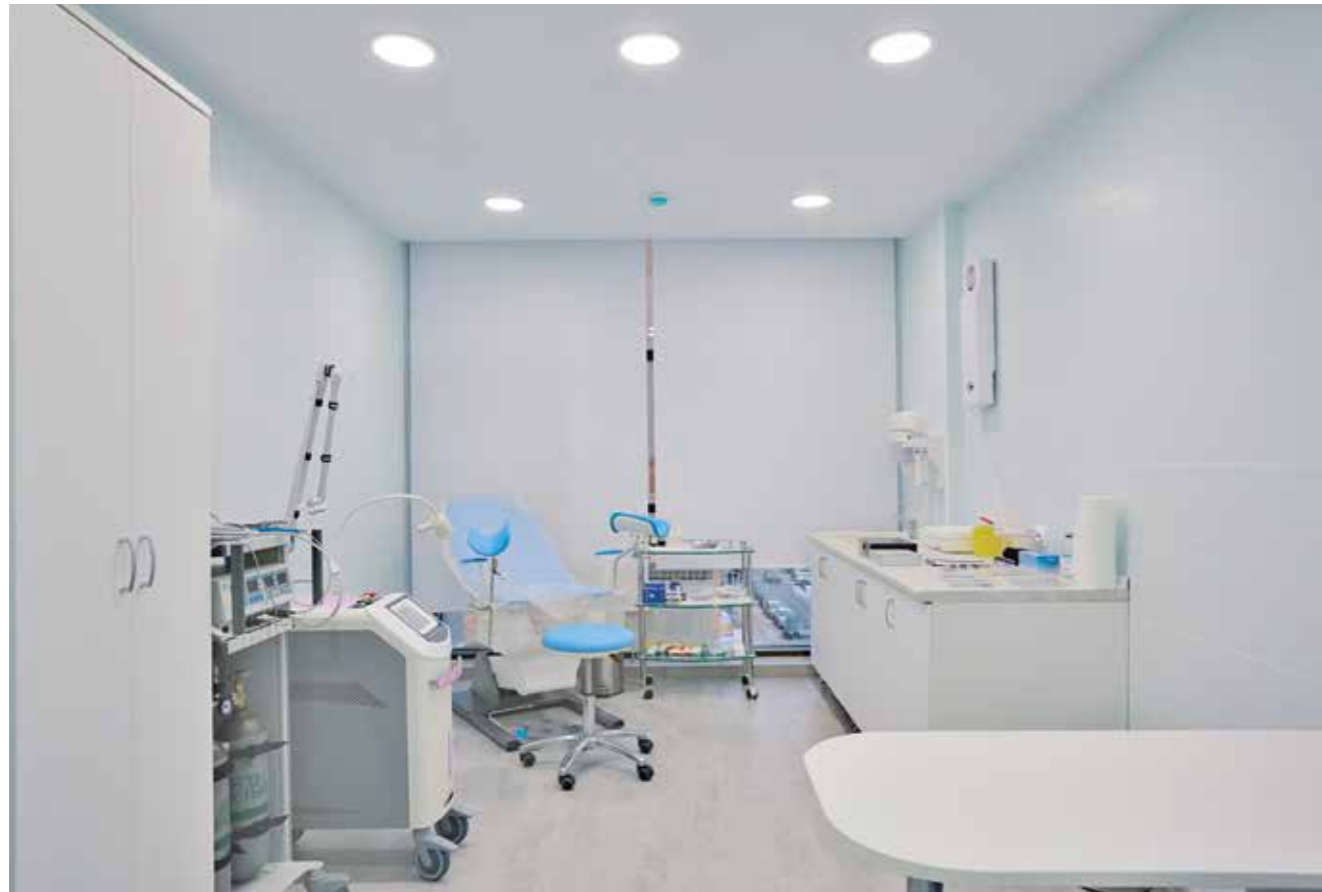
### DC51010 - 90

1 2

1 - Ref.	2 - Color	Accessories for below references
DC51010	01 Black / Negro / Noir	51010 - 510D
DC51015	04 Aluminium / Aluminio / Aluminium	51015
DC51022	09 Tec. Gold / Oro Téc. / Tech. Or	51022
DC51033	90 T. White /Blanco T. / Blanc T.	51033
DC51040		51030 - 51040 - 53030 - 56324 - 51224 - 51618

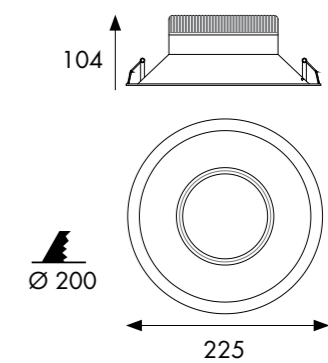


The above information is basic. For updated and more accurate information, please consult Technical Data Sheet on [www.jisoiluminacion.com](http://www.jisoiluminacion.com)



## 51224

Downlight LED UGR/ambiente  
Downlight LED UGR/ambience  
Downlight LED UGR/d'ambiance



Compatible lighting with installations that require UGR<19



## 512 24 - 23 8 4 - 90

1 - Model	2 - W	3 - Driver	4 - Brand Chip	5 - K	6 - Color
512	24	<ul style="list-style-type: none"> <li>29 - ON-OFF AC220-240V PF &gt;0,9</li> <li>23 - ON-OFF AC220-240V PF &gt;0,95</li> <li>47 - DALI/PUSH/1-10V AC220-240V PF &gt;0,95</li> <li>51 - Trailing Edge AC220-240V PF &gt;0,9</li> <li>SMART CONTROL See Page. 414</li> </ul>	8 - Sanan	<ul style="list-style-type: none"> <li>3 - 3000 1599 Lm System 2880 Lm Source</li> <li>4 - 4000 1683 Lm System 2880 Lm Source</li> </ul>	<ul style="list-style-type: none"> <li>01 Black / Negro / Noir</li> <li>04 Aluminium / Aluminio / Aluminium</li> <li>09 Tec. Gold / Oro Téc. / Tech. Or</li> <li>90 T. White / Blanco T. / Blanc T.</li> </ul>

▼ Accessories not included

Trim to cover hole	
DC51040- 200-230	
Emergency Kit	
2DCLEDK1	1 h
2DCLEDK2	3 h
2DCLEDK5	3 h
2DCLEDK29	3 h

LED CHIP: SMD 2835 - CRI>80 - L70B10 / 50.000H - 120lm/W (4000K) - RG1

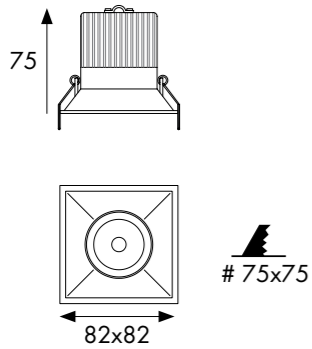


The above information is basic. For updated and more accurate information, please consult Technical Data Sheet on [www.jisoiluminacion.com](http://www.jisoiluminacion.com)  
 Consult general issues - [www.jisoiluminacion.com](http://www.jisoiluminacion.com) (Download - Technical Information)  
 Consult Instructions Emergency kit on [www.jisoiluminacion.com](http://www.jisoiluminacion.com)  
 Consult instructions to Driver configuration - page 470  
 Consult instructions to Driver dimmable Trailing Edge, 1-10V, DALI and Push - [www.jisoiluminacion.com](http://www.jisoiluminacion.com) (Download - Technical Information)  
 Consult instructions to Driver dimmable Smart Control - page 414



51110

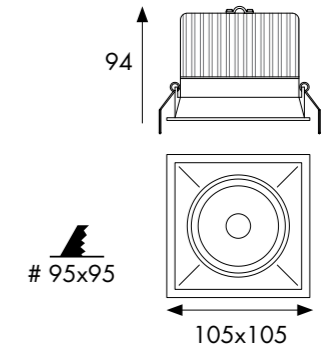
Downlight LED UGR/ambiente  
Downlight LED UGR/ambience  
Downlight LED UGR/d'ambiance



Compatible lighting with installations that require UGR<19

51115

Downlight LED UGR/ambiente  
Downlight LED UGR/ambience  
Downlight LED UGR/d'ambiance



Compatible lighting with installations that require UGR<19

511 10 - 21 5 4 - 90  
1 2 3 4 5 6

1 - Model	2 - W	3 - Driver	4 - Brand Chip	5 - K	6 - Color																		
511	10	<ul style="list-style-type: none"> <li>21 - ON-OFF AC220-240V PF &gt;0,9</li> <li>23 - ON-OFF AC220-240V PF &gt;0,95</li> <li>37 - 1-10V AC200-240V PF &gt;0,95</li> <li>51 - Trailing Edge AC220-240V PF &gt;0,95</li> <li>D7 - DALI/PUSH AC200-240V PF &gt;0,95</li> <li>SMART CONTROL See Page. 414</li> </ul>	5 - Edison	<ul style="list-style-type: none"> <li>2 - 2700K 872 Lm System 1311 Lm Source</li> <li>3 - 3000 894 Lm System 1353 Lm Source</li> <li>4 - 4000 939 Lm System 1380 Lm Source</li> </ul>	<ul style="list-style-type: none"> <li>01 Black / Negro / Noir</li> <li>04 Aluminium / Aluminio / Aluminium</li> <li>09 Tec. Gold / Oro Téc. / Tech. Or</li> <li>90 T. White / Blanco T. / Blanc T.</li> </ul>																		
<p>▼ Accessories not included</p> <p>▲ - Degree</p> <table border="1"> <thead> <tr> <th>Included</th> <th>Optional</th> <th>Optional</th> </tr> </thead> <tbody> <tr> <td>60°</td> <td>1-24°</td> <td>M-38°</td> </tr> </tbody> </table> <p>Emergency Kit</p> <table border="1"> <tbody> <tr> <td>2DCLEDK1</td> <td>1 h</td> <td></td> </tr> <tr> <td>2DCLEDK2</td> <td>3 h</td> <td></td> </tr> <tr> <td>2DCLEDK5</td> <td>3 h</td> <td></td> </tr> <tr> <td>2DCLEDK29</td> <td>3 h</td> <td></td> </tr> </tbody> </table>						Included	Optional	Optional	60°	1-24°	M-38°	2DCLEDK1	1 h		2DCLEDK2	3 h		2DCLEDK5	3 h		2DCLEDK29	3 h	
Included	Optional	Optional																					
60°	1-24°	M-38°																					
2DCLEDK1	1 h																						
2DCLEDK2	3 h																						
2DCLEDK5	3 h																						
2DCLEDK29	3 h																						

LED CHIP: COB - CRI>80 - L70B10 / 50.000H - 113lm/W (4000K) - RG1



The above information is basic. For updated and more accurate information, please consult Technical Data Sheet on [www.jisoiluminacion.com](http://www.jisoiluminacion.com)  
 Consult general issues - [www.jisoiluminacion.com](http://www.jisoiluminacion.com) (Download - Technical Information)  
 Consult Instructions Emergency kit on [www.jisoiluminacion.com](http://www.jisoiluminacion.com)  
 Consult instructions to Driver configuration - page 470  
 Consult instructions to Driver dimmable Trailing Edge, 1-10V, DALI and Push - [www.jisoiluminacion.com](http://www.jisoiluminacion.com) (Download - Technical Information)  
 Consult instructions to Driver dimmable Smart Control - page 414

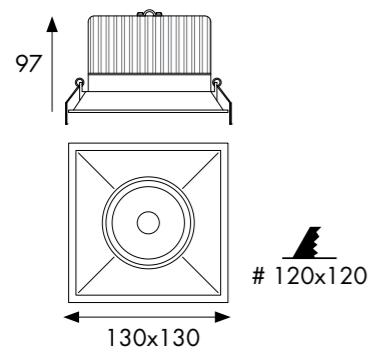
511 15 - 21 5 4 - 90  
1 2 3 4 5 6

1 - Model	2 - W	3 - Driver	4 - Brand Chip	5 - K	6 - Color																		
511	15	<ul style="list-style-type: none"> <li>21 - ON-OFF AC220-240V PF &gt;0,9</li> <li>23 - ON-OFF AC220-240V PF &gt;0,95</li> <li>47 - DALI/PUSH/1-10V AC200-240V PF &gt;0,95</li> <li>51 - Trailing Edge AC220-240V PF &gt;0,9</li> <li>SMART CONTROL See Page. 414</li> </ul>	5 - Edison	<ul style="list-style-type: none"> <li>3 - 3000 1531 Lm System 1719 Lm Source</li> <li>4 - 4000 1615 Lm System 1753 Lm Source</li> </ul>	<ul style="list-style-type: none"> <li>01 Black / Negro / Noir</li> <li>04 Aluminium / Aluminio / Aluminium</li> <li>09 Tec. Gold / Oro Téc. / Tech. Or</li> <li>90 T. White / Blanco T. / Blanc T.</li> </ul>																		
<p>▼ Accessories not included</p> <p>▲ - Degree</p> <table border="1"> <thead> <tr> <th>Included</th> <th>Optional</th> <th>Optional</th> </tr> </thead> <tbody> <tr> <td>60°</td> <td>1-24°</td> <td>M-38°</td> </tr> </tbody> </table> <p>Emergency Kit</p> <table border="1"> <tbody> <tr> <td>2DCLEDK1</td> <td>1 h</td> <td></td> </tr> <tr> <td>2DCLEDK2</td> <td>3 h</td> <td></td> </tr> <tr> <td>2DCLEDK5</td> <td>3 h</td> <td></td> </tr> <tr> <td>2DCLEDK29</td> <td>3 h</td> <td></td> </tr> </tbody> </table>						Included	Optional	Optional	60°	1-24°	M-38°	2DCLEDK1	1 h		2DCLEDK2	3 h		2DCLEDK5	3 h		2DCLEDK29	3 h	
Included	Optional	Optional																					
60°	1-24°	M-38°																					
2DCLEDK1	1 h																						
2DCLEDK2	3 h																						
2DCLEDK5	3 h																						
2DCLEDK29	3 h																						

LED CHIP: COB - CRI>80 - L70B10 / 50.000H - 116lm/W (4000K) - RG1



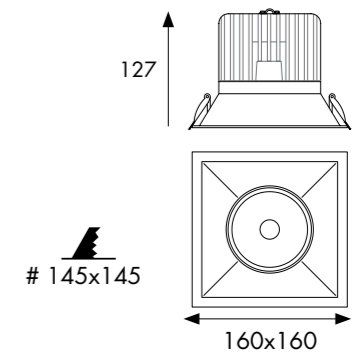
The above information is basic. For updated and more accurate information, please consult Technical Data Sheet on [www.jisoiluminacion.com](http://www.jisoiluminacion.com)  
 Consult general issues - [www.jisoiluminacion.com](http://www.jisoiluminacion.com) (Download - Technical Information)  
 Consult Instructions Emergency kit on [www.jisoiluminacion.com](http://www.jisoiluminacion.com)  
 Consult instructions to Driver configuration - page 470  
 Consult instructions to Driver dimmable Trailing Edge, 1-10V, DALI and Push - [www.jisoiluminacion.com](http://www.jisoiluminacion.com) (Download - Technical Information)  
 Consult instructions to Driver dimmable Smart Control - page 414



## 51122

Downlight LED UGR/ambiente  
Downlight LED UGR/ambience  
Downlight LED UGR/d'ambiance

Compatible lighting with installations that require UGR<19



## 51133

Downlight LED UGR/ambiente  
Downlight LED UGR/ambience  
Downlight LED UGR/d'ambiance



Compatible lighting with installations that require UGR<19

### 511 22 - 21 5 4 - 90

1 - Model	2 - W	3 - Driver	4 - Brand Chip	5 - K	6 - Color
511	22	<ul style="list-style-type: none"> <li>21 - ON-OFF AC220-240V PF &gt;0,95</li> <li>23 - ON-OFF AC220-240V PF &gt;0,95</li> <li>47 - DALI/PUSH/1-10V AC200-240V PF &gt;0,95</li> <li>51 - Trailing Edge AC220-240V PF &gt;0,9</li> <li>SMART CONTROL See Page. 414</li> </ul>	5 - Edison	<ul style="list-style-type: none"> <li>3 - 3000 2090 Lm System 2544 Lm Source</li> <li>4 - 4000 2200 Lm System 2600 Lm Source</li> </ul>	<ul style="list-style-type: none"> <li>01 Black / Negro / Noir</li> <li>04 Aluminium / Aluminio / Aluminium</li> <li>09 Tec. Gold / Oro Téc. / Tech. Or</li> <li>90 T. White / Blanco T. / Blanc T.</li> </ul>

▼ Accessories not included

	Included	Optional	Optional
- Degree	60°	1-24°	M-38°
Emergency Kit	2DCLEDK1	2DCLEDK2	2DCLEDK5 2DCLEDK29
	1 h	3 h	3 h

LED CHIP: COB - CRI>80 - L70B10 / 50.000H - 108lm/W (4000K) - RGO



The above information is basic. For updated and more accurate information, please consult Technical Data Sheet on [www.jisoiluminacion.com](http://www.jisoiluminacion.com)  
 Consult general issues - [www.jisoiluminacion.com](http://www.jisoiluminacion.com) (Download - Technical Information)  
 Consult Instructions Emergency kit on [www.jisoiluminacion.com](http://www.jisoiluminacion.com)  
 Consult instructions to Driver configuration - page 470  
 Consult instructions to Driver dimmable Trailing Edge, 1-10V, DALI and Push - [www.jisoiluminacion.com](http://www.jisoiluminacion.com) (Download - Technical Information)  
 Consult instructions to Driver dimmable Smart Control - page 414

### 511 33 - 21 5 4 - 90

1 - Model	2 - W	3 - Driver	4 - Brand Chip	5 - K	6 - Color
511	30	<ul style="list-style-type: none"> <li>21 - ON-OFF AC220-240V PF &gt;0,9</li> <li>23 - ON-OFF AC220-240V PF &gt;0,95</li> <li>47 - DALI/PUSH/1-10V AC200-240V PF &gt;0,95</li> <li>51 - Trailing Edge AC220-240V PF &gt;0,9</li> <li>SMART CONTROL See Page. 414</li> </ul>	5 - Edison	<ul style="list-style-type: none"> <li>3 - 3000 2753 Lm System 3562 Lm Source</li> <li>4 - 4000 2909 Lm System 3640 Lm Source</li> </ul>	<ul style="list-style-type: none"> <li>01 Black / Negro / Noir</li> <li>04 Aluminium / Aluminio / Aluminium</li> <li>09 Tec. Gold / Oro Téc. / Tech. Or</li> <li>90 T. White / Blanco T. / Blanc T.</li> </ul>

▼ Accessories not included

	Included	Optional	Optional
- Degree	60°	1-24°	M-38°
Emergency Kit	2DCLEDK1	2DCLEDK2	2DCLEDK5 2DCLEDK29
	1 h	3 h	3 h

LED CHIP: COB - CRI>80 - L70B10 / 50.000H - 120lm/W (4000K) - RGO

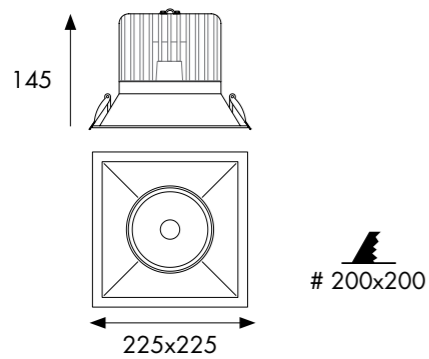


The above information is basic. For updated and more accurate information, please consult Technical Data Sheet on [www.jisoiluminacion.com](http://www.jisoiluminacion.com)  
 Consult general issues - [www.jisoiluminacion.com](http://www.jisoiluminacion.com) (Download - Technical Information)  
 Consult Instructions Emergency kit on [www.jisoiluminacion.com](http://www.jisoiluminacion.com)  
 Consult instructions to Driver configuration - page 470  
 Consult instructions to Driver dimmable Trailing Edge, 1-10V, DALI and Push - [www.jisoiluminacion.com](http://www.jisoiluminacion.com) (Download - Technical Information)  
 Consult instructions to Driver dimmable Smart Control - page 414



### 51130

Downlight LED UGR/ambiente  
Downlight LED UGR/ambiente  
Downlight LED UGR/d'ambiance



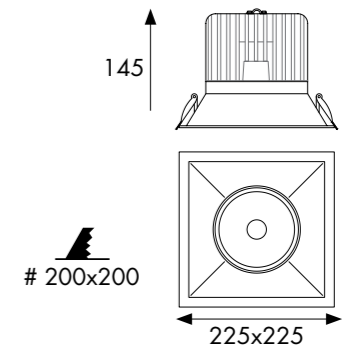
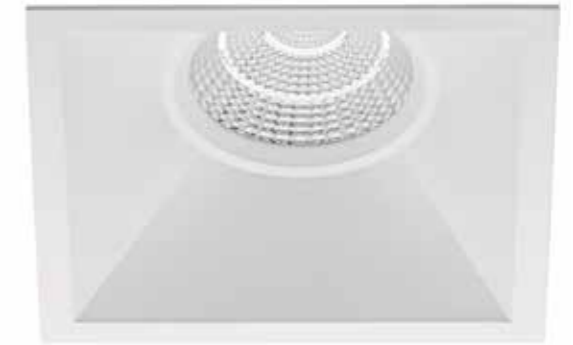
Compatible lighting with installations that require UGR<19

### 51140

Downlight LED UGR/ambiente  
Downlight LED UGR/ambiente  
Downlight LED UGR/d'ambiance



Compatible lighting with installations that require UGR<19



### 511 30 - 21 5 4 - 90

1 - Model	2 - W	3 - Driver	4 - Brand Chip	5 - K	6 - Color
511	30	<ul style="list-style-type: none"> <li>21 - ON-OFF AC220-240V PF &gt;0,9</li> <li>23 - ON-OFF AC220-240V PF &gt;0,95</li> <li>47 - DALI/PUSH/1-10V AC200-240V PF &gt;0,95</li> <li>51 - Trailing Edge AC220-240V PF &gt;0,9</li> <li>SMART CONTROL See Page. 414</li> </ul>	5 - Edison	<ul style="list-style-type: none"> <li>3 - 3000 2726 Lm System 3818 Lm Source</li> <li>4 - 4000 2985 Lm System 4021 Lm Source</li> </ul>	<ul style="list-style-type: none"> <li>01 Black / Negro / Noir</li> <li>04 Aluminium / Aluminio / Aluminium</li> <li>09 Tec. Gold / Oro Téc. / Tech. Or</li> <li>90 T. White / Blanco T. / Blanc T.</li> </ul>

▼ Accessories not included

▲ - Degree

Included	Optional	Optional
60°	1-24°	M-38°
Emergency Kit		
2DCLEDK1	1 h	
2DCLEDK2	3 h	
2DCLEDK5	3 h	
2DCLEDK29	3 h	

LED CHIP: COB - CRI>80 - L70B10 / 50.000H - 120lm/W (4000K) - RGO



The above information is basic. For updated and more accurate information, please consult Technical Data Sheet on [www.jisoiluminacion.com](http://www.jisoiluminacion.com)  
 Consult general issues - [www.jisoiluminacion.com](http://www.jisoiluminacion.com) (Download - Technical Information)  
 Consult Instructions Emergency kit on [www.jisoiluminacion.com](http://www.jisoiluminacion.com)  
 Consult instructions to Driver configuration - page 470  
 Consult instructions to Driver dimmable Trailing Edge, 1-10V, DALI and Push - [www.jisoiluminacion.com](http://www.jisoiluminacion.com) (Download - Technical Information)  
 Consult instructions to Driver dimmable Smart Control - page 414

### 511 40 - 21 5 4 - 90

1 - Model	2 - W	3 - Driver	4 - Brand Chip	5 - K	6 - Color
511	40	<ul style="list-style-type: none"> <li>21 - ON-OFF AC220-240V PF &gt;0,9</li> <li>23 - ON-OFF AC220-240V PF &gt;0,95</li> <li>37 - 1-10V AC200-240V PF &gt;0,95</li> <li>51 - Trailing Edge (36W) AC220-240V PF &gt;0,9</li> <li>D7 - DALI/PUSH AC200-240V PF &gt;0,95</li> <li>SMART CONTROL See Page. 414</li> </ul>	5 - Edison	<ul style="list-style-type: none"> <li>3 - 3000 4217 Lm System 5454 Lm Source</li> <li>4 - 4000 4326 Lm System 5744 Lm Source</li> </ul>	<ul style="list-style-type: none"> <li>01 Black / Negro / Noir</li> <li>04 Aluminium / Aluminio / Aluminium</li> <li>09 Tec. Gold / Oro Téc. / Tech. Or</li> <li>90 T. White / Blanco T. / Blanc T.</li> </ul>

▼ Accessories not included

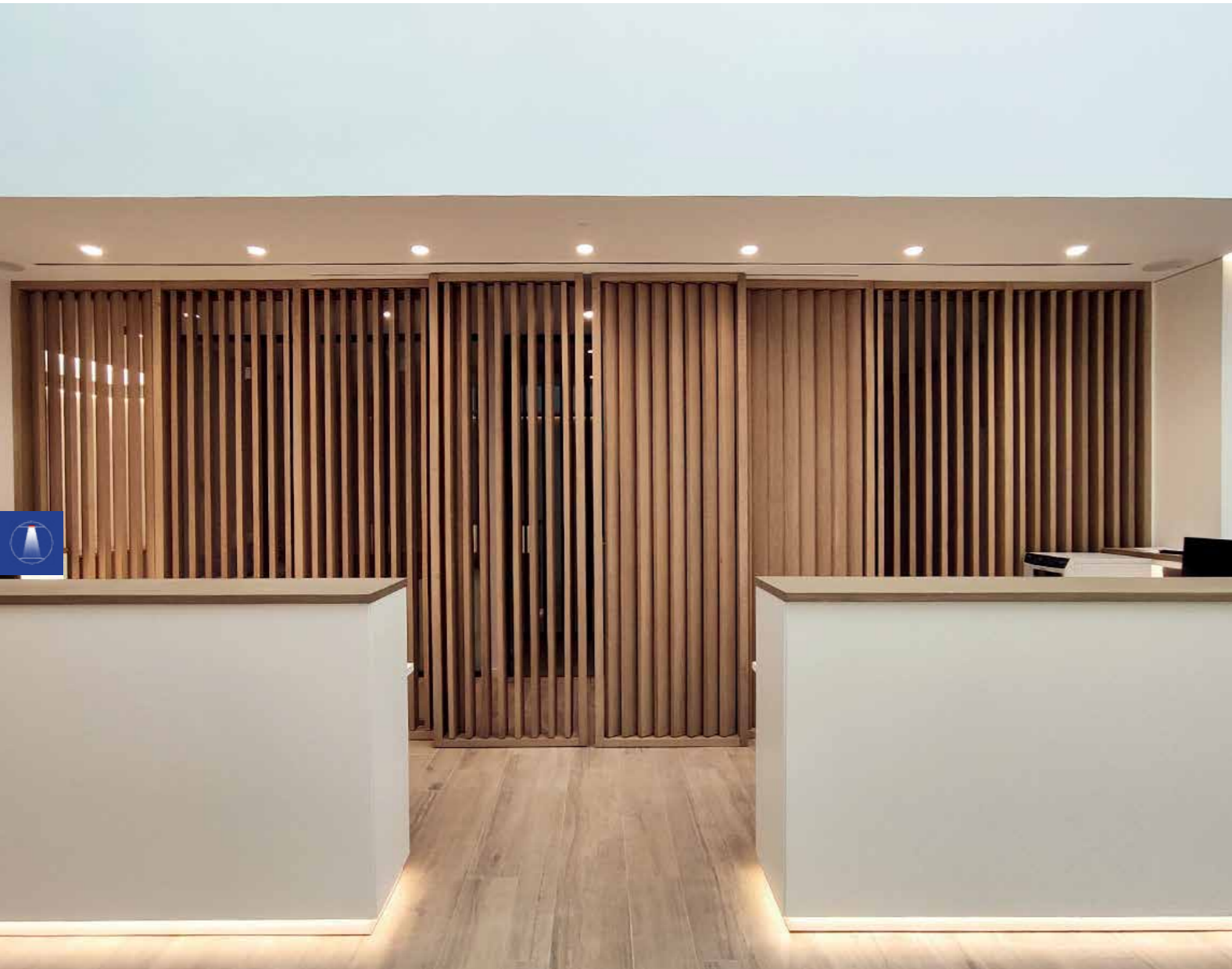
▲ - Degree

Included	Optional	Optional
60°	1-24°	M-38°
Emergency Kit		
2DCLEDK1	1 h	
2DCLEDK2	3 h	
2DCLEDK5	3 h	
2DCLEDK29	3 h	

LED CHIP: COB - CRI>80 - L70B10 / 50.000H - 122lm/W (4000K) - RGO

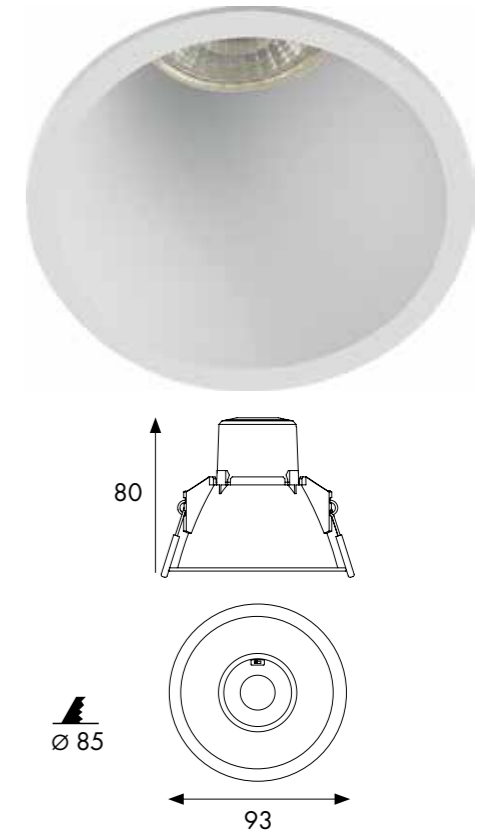


The above information is basic. For updated and more accurate information, please consult Technical Data Sheet on [www.jisoiluminacion.com](http://www.jisoiluminacion.com)  
 Consult general issues - [www.jisoiluminacion.com](http://www.jisoiluminacion.com) (Download - Technical Information)  
 Consult Instructions Emergency kit on [www.jisoiluminacion.com](http://www.jisoiluminacion.com)  
 Consult instructions to Driver configuration - page 470  
 Consult instructions to Driver dimmable Trailing Edge, 1-10V, DALI and Push - [www.jisoiluminacion.com](http://www.jisoiluminacion.com) (Download - Technical Information)  
 Consult instructions to Driver dimmable Smart Control - page 414



## 57306

Empotrable UGR /Ambiente  
Recessed UGR /Ambience Spotlight  
Encastré UGR /d'Ambiance



### 573 06 - 19 9 0 - 90

1 2 3 4 5 6

1 - Model	2 - W	3 - Driver	4 - Brand Chip	5 - K	6 - Color
573	6	<ul style="list-style-type: none"> <li>▲ 19 - Trailing Edge AC220-240V PF &gt;0,9</li> <li>▲ SMART CONTROL See Page. 414</li> </ul>	9 - Everlight	<ul style="list-style-type: none"> <li>0 - CCT Switch</li> <li>■ 3000</li> <li>432 Lm System</li> <li>675 Lm Source</li> <li>■ 4000</li> <li>467 Lm System</li> <li>702 Lm Source</li> </ul>	<ul style="list-style-type: none"> <li>01 Black / Negro / Noir</li> <li>90 T. White / Blanco T. / Blanc T.</li> </ul>

▼ Accessories not included

Emergency Kit		
1EH-3	TCl	1 h
1EH-4	TCl	3 h

LED CHIP: SMD 2835 - CRI>80 - L70B10 / 25.000H - 130lm/W (4000K) - RG1



The above information is basic. For updated and more accurate information, please consult Technical Data Sheet on [www.jisoiluminacion.com](http://www.jisoiluminacion.com)

LED module information

Consult general issues on [www.jisoiluminacion.com](http://www.jisoiluminacion.com) (Download - Technical Information)

Consult Instructions Emergency kit on [www.jisoiluminacion.com](http://www.jisoiluminacion.com)

Consult instructions to Driver configuration - page 470

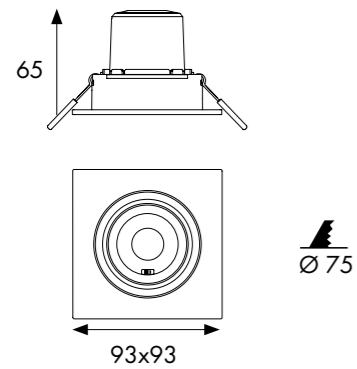
Consult instructions to Driver dimmable Trailing Edge, 1-10V, DALI and Push - [www.jisoiluminacion.com](http://www.jisoiluminacion.com) (Download - Technical Information)

Consult instructions to Driver dimmable Smart Control - page 414



57406

Empotrable Basculante UGR /Ambiente  
Recessed Swivel UGR /Ambience Spotlight  
Encastré Basculant UGR /d'Ambiance



574 06 - 19 9 0 - 90

1 - Model	2 - W	3 - Driver	4 - Brand Chip	5 - K	6 - Color
574	6	<ul style="list-style-type: none"> <li>▲ 19 - Trailing Edge AC220-240V PF &gt;0,9</li> <li>▲ SMART CONTROL See Page. 414</li> </ul>	9 - Everlight	<ul style="list-style-type: none"> <li>0 - CCT Switch</li> <li>■ 3000</li> <li>432 Lm System</li> <li>675 Lm Source</li> <li>■ 4000</li> <li>467 Lm System</li> <li>702 Lm Source</li> </ul>	<ul style="list-style-type: none"> <li>01 Black / Negro / Noir</li> <li>90 T. White / Blanco T. / Blanc T.</li> </ul>

▼ Accessories not included

Emergency Kit		
1EH-3	TCl	1 h
1EH-4	TCl	3 h

LED CHIP: SMD 2835 - CRI>80 - L70B10 / 25.000H - 130lm/W (4000K) - RG1

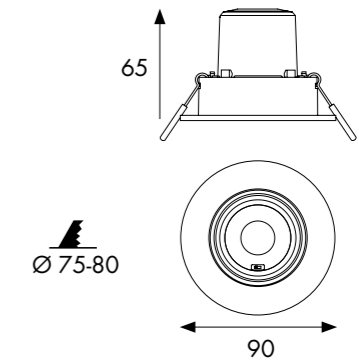


The above information is basic. For updated and more accurate information, please consult Technical Data Sheet on [www.jisoiluminacion.com](http://www.jisoiluminacion.com)  
LED module information  
Consult general issues - [www.jisoiluminacion.com](http://www.jisoiluminacion.com) (Download - Technical Information)  
Consult Instructions Emergency kit on [www.jisoiluminacion.com](http://www.jisoiluminacion.com)  
Consult instructions to Driver configuration - page 470  
Consult instructions to Driver dimmable Trailing Edge, 1-10V, DALI and Push - [www.jisoiluminacion.com](http://www.jisoiluminacion.com) (Download - Technical Information)  
Consult instructions to Driver dimmable Smart Control - page 414



57106

Empotrable Basculante UGR /Ambiente  
Recessed Swivel UGR /Ambience Spotlight  
Encastré Basculant UGR /d'Ambiance



571 06 - 19 9 0 - 90

1 - Model	2 - W	3 - Driver	4 - Brand Chip	5 - K	6 - Color
571	6	<ul style="list-style-type: none"> <li>▲ 19 - Trailing Edge AC220-240V PF &gt;0,9</li> <li>▲ SMART CONTROL See Page. 414</li> </ul>	9 - Everlight	<ul style="list-style-type: none"> <li>0 - CCT Switch</li> <li>■ 3000</li> <li>432 Lm System</li> <li>675 Lm Source</li> <li>■ 4000</li> <li>467 Lm System</li> <li>702 Lm Source</li> </ul>	<ul style="list-style-type: none"> <li>01 Black / Negro / Noir</li> <li>90 T. White / Blanco T. / Blanc T.</li> </ul>

▼ Accessories not included

Emergency Kit		
1EH-3	TCl	1 h
1EH-4	TCl	3 h

LED CHIP: SMD 2835 - CRI>80 - L70B10 / 25.000H - 130lm/W (4000K) - RG1

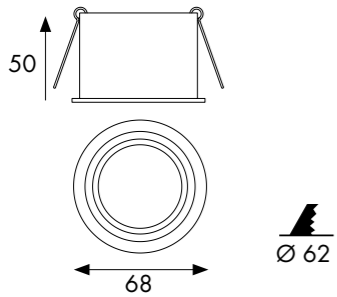


The above information is basic. For updated and more accurate information, please consult Technical Data Sheet on [www.jisoiluminacion.com](http://www.jisoiluminacion.com)  
LED module information  
Consult general issues - [www.jisoiluminacion.com](http://www.jisoiluminacion.com) (Download - Technical Information)  
Consult Instructions Emergency kit on [www.jisoiluminacion.com](http://www.jisoiluminacion.com)  
Consult instructions to Driver configuration - page 470  
Consult instructions to Driver dimmable Trailing Edge, 1-10V, DALI and Push - [www.jisoiluminacion.com](http://www.jisoiluminacion.com) (Download - Technical Information)  
Consult instructions to Driver dimmable Smart Control - page 414



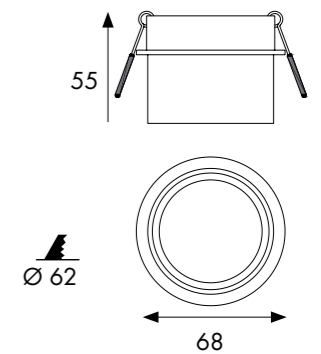
## 790D

Empotrable UGR/ Ambiente  
Recessed UGR/ Ambience Spotlight  
Encastré UGR/ d'Ambiance



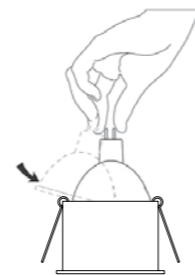
## 791D

Empotrable UGR/ Ambiente  
Recessed UGR/ Ambience Spotlight  
Encastré UGR/ d'Ambiance



### 790D - 9090

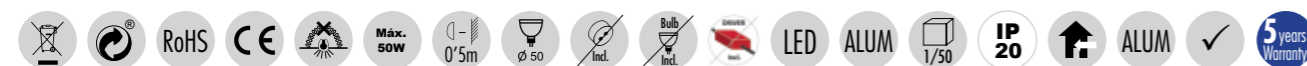
1 - Model	2 - Color
790D	0101 Black / Negro / Noir
	0119 Black-Tec. Gold / Negro-Oro Téc. / Noir-Or Tech.
	9019 Tec. White-Tec. Gold / Blanco Téc.-Oro Téc. / Blanc Tech.-Or Tech.
	9090 Tec. White / Blanco Téc. / Blanc Tech.



▼ Optional

Trim to cover hole	LED Module (page 388-389)	LED Module SMD (page 387)	Lampholder (page 390)
HC70701 - 65-85	HLX08 2700K 828Lm	HLP06-1990 CCT Switch	1PHG GU-10 100-240V
HC70790 - 65-85	HLX08 3000K 849Lm	3000K 432Lm	1PHB GU-10/GZ-10 100-240V
	HLX08 4000K 891Lm	4000K 467Lm	1DH1 Fast Safety connector
	HLX12 2700K 1207Lm	Bulb LED GU-10 (page 386)	
	HLX12 3000K 1238Lm	1LHG-300 CCT Switch	1DH3 GU-10 Safety distancing
	HLX12 4000K 1300Lm	3000K 452Lm	
	HLHLX-01 Honeycomb Acc.	4000K 478Lm	

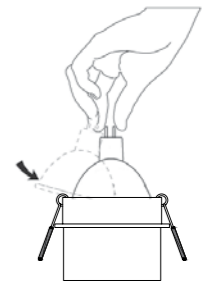
Compatible lighting with installations that require UGR<19



The above information is basic. For updated and more accurate information, please consult Technical Data Sheet on [www.jisoiluminacion.com](http://www.jisoiluminacion.com)

### 791D - 0101

1 - Model	2 - Color
791D	0101 Black / Negro / Noir
	0119 Black-Tec. Gold / Negro-Oro Téc. / Noir-Or Tech.
	9019 Tec. White-Tec. Gold / Blanco Téc.-Oro Téc. / Blanc Tech.-Or Tech.
	9090 Tec. White / Blanco Téc. / Blanc Tech.



▼ Optional

Trim to cover hole	LED Module (page 388-389)	LED Module SMD (page 387)	Lampholder (page 390)
HC70701 - 65-85	HLX08 2700K 828Lm	HLP06-1990 CCT Switch	1PHG GU-10 100-240V
HC70790 - 65-85	HLX08 3000K 849Lm	3000K 432Lm	1PHB GU-10/GZ-10 100-240V
	HLX08 4000K 891Lm	4000K 467Lm	1DH1 Fast Safety connector
	HLX12 2700K 1207Lm	Bulb LED GU-10 (page 386)	
	HLX12 3000K 1238Lm	1LHG-300 CCT Switch	1DH3 GU-10 Safety distancing
	HLX12 4000K 1300Lm	3000K 452Lm	
	HLHLX-01 Honeycomb Acc.	4000K 478Lm	

Compatible lighting with installations that require UGR<19



The above information is basic. For updated and more accurate information, please consult Technical Data Sheet on [www.jisoiluminacion.com](http://www.jisoiluminacion.com)





705D-01



705D-09



705D-9001



705D-9009



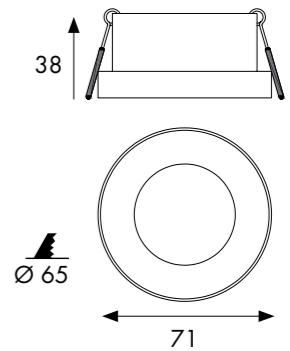
705D-9001



705D-0901

## 705D

Empotrable UGR /Ambiente  
Recessed UGR /Ambience Spotlight  
Encastré UGR /d'Ambiance



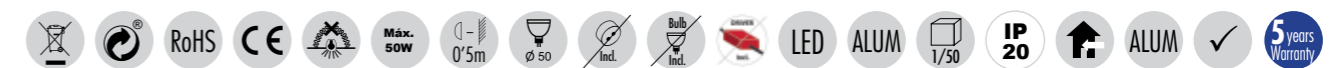
## 705D - 90

1 - Model	2 - Color
705D	01 Black / Negro / Noir
	09 Tec. Gold / Oro Téc. / Or Tech.
	90 Tec. White / Blanco Téc. / Blanc Tech.

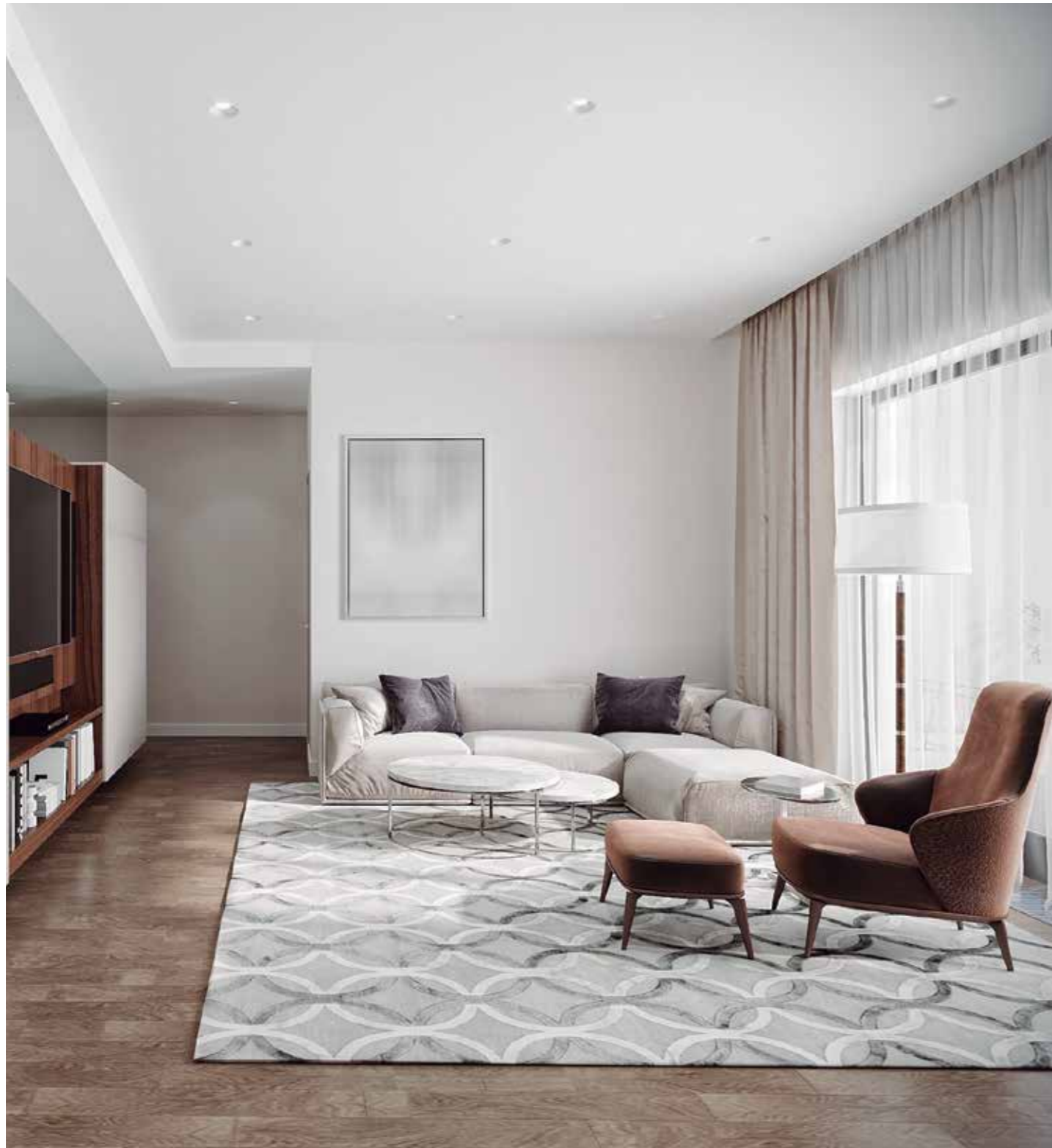
### Optional

Trim Ring	Trim to cover hole	LED Module (page 388-389)	LED Module SMD (page 387)	Lampholder (page 390)
HC70601	HC70701 - ▲ 65-85	HLX08 2700K 828Lm	HLP06-1990 CCT Switch	1PHG GU-10
HC70609	HC70709 - ▲ 65-85	HLX08 3000K 849Lm	3000K 432Lm	1PHB GU-10/GZ-10
HC70690	HC70790 - ▲ 65-85	HLX08 4000K 891Lm	4000K 467Lm	1DH1 Fast Safety connector
		HLX12 2700K 1207Lm	Bulb LED GU-10 (page 386)	1DH3 GU-10 Safety distancing
		HLX12 3000K 1238Lm		1LHG-300 CCT Switch
		HLX12 4000K 1300Lm		3000K 452Lm
		HLHLX-01 Honeycomb Acc.	4000K 478Lm	

Compatible lighting with installations that require UGR<19

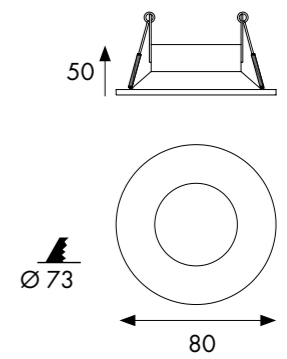


The above information is basic. For updated and more accurate information, please consult Technical Data Sheet on [www.jisoiluminacion.com](http://www.jisoiluminacion.com)

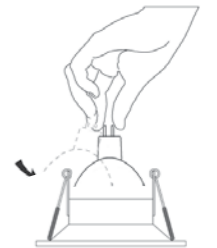


## 551D

Empotrable UGR /Ambiente  
Recessed UGR /Ambience Spotlight  
Encastré UGR /d'Ambiance



Compatible lighting with installations that require UGR<19



## 551D - 90

1 - Model	2 - Color
551D	01 Black / Negro / Noir
	90 Tec. White / Blanco Téc. / Blanc Tech.

### ▼ Optional

LED Module COB (page 388-389)	LED Module SMD (page 387)	Lampholder (page 390)
<ul style="list-style-type: none"> <li>HLX08 2700K 828Lm</li> <li>HLX08 3000K 849Lm</li> <li>HLX08 4000K 891Lm</li> </ul>	<ul style="list-style-type: none"> <li>HLP06-1990 CCT Switch</li> <li>3000K 432Lm</li> <li>4000K 467Lm</li> </ul>	<ul style="list-style-type: none"> <li>1PHG GU-10 100-240V</li> <li>1PHB GU-10/GZ-10 100-240V</li> <li>1DH1 Fast Safety connector</li> <li>1DH3 GU-10 Safety distancing</li> </ul>
<ul style="list-style-type: none"> <li>HLX12 2700K 1207Lm</li> <li>HLX12 3000K 1238Lm</li> <li>HLX12 4000K 1300Lm</li> </ul>	<ul style="list-style-type: none"> <li>Bulb LED GU-10 (page 386)</li> <li>1LHG-300 CCT Switch</li> <li>3000K 452Lm</li> <li>4000K 478Lm</li> </ul>	
<ul style="list-style-type: none"> <li>HLHLX-01 Honeycomb Acc.</li> </ul>		



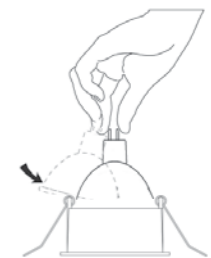
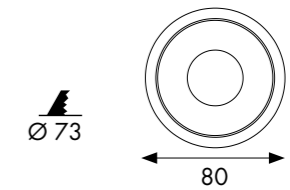
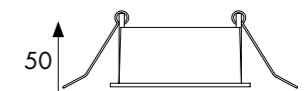
The above information is basic. For updated and more accurate information, please consult Technical Data Sheet on [www.jisoiluminacion.com](http://www.jisoiluminacion.com)



Compatible lighting with installations that require UGR<19

## 701D

Empotrable UGR /Ambiente  
Recessed UGR /Ambience Spotlight  
Encastré UGR /d'Ambiance



## 701D - 9090

1 - Model	2 - Color
701D	0101 Black / Negro / Noir
	0109 Black-Tec. Gold / Negro-Oro Téc. / Noir-Or Tech.
	9009 Tec. White-Tec. Gold / Blanco Téc.-Oro Téc. / Blanc Tech.-Or Tech.
	9090 Tec. White / Blanco Téc. / Blanc Tech.

### Optional

LED Module COB (page 388-389)	LED Module SMD (page 387)	Lampholder (page 390)
<ul style="list-style-type: none"> <li>HLX08 2700K 828Lm</li> <li>HLX08 3000K 849Lm</li> <li>HLX08 4000K 891Lm</li> </ul>	<ul style="list-style-type: none"> <li>HLP06-1990 CCT Switch</li> <li>3000K 432Lm</li> <li>4000K 467Lm</li> </ul>	<ul style="list-style-type: none"> <li>1PHG GU-10 100-240V</li> <li>1PHB GU-10/GZ-10 100-240V</li> <li>1DH1 Fast Safety connector</li> <li>1DH3 GU-10 Safety distancing</li> </ul>
<ul style="list-style-type: none"> <li>HLX12 2700K 1207Lm</li> <li>HLX12 3000K 1238Lm</li> <li>HLX12 4000K 1300Lm</li> </ul>	<b>Bulb LED GU-10 (page 386)</b> <ul style="list-style-type: none"> <li>1LHG-300 CCT Switch</li> <li>3000K 452Lm</li> <li>4000K 478Lm</li> </ul>	
<ul style="list-style-type: none"> <li>HLHLX-01 Honeycomb Acc.</li> </ul>		

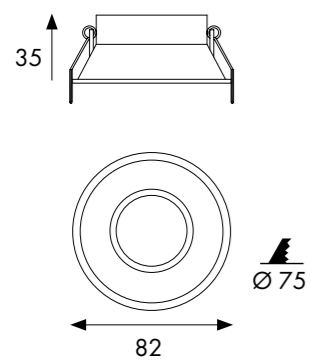


The above information is basic. For updated and more accurate information, please consult Technical Data Sheet on [www.jisoiluminacion.com](http://www.jisoiluminacion.com)



## 510D

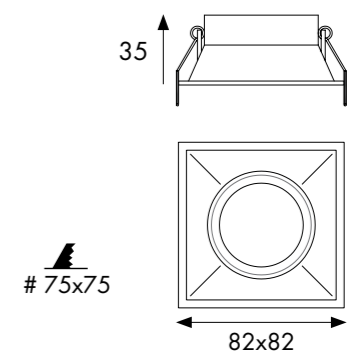
Empotrable UGR/ Ambiente  
Recessed UGR/ Ambience Spotlight  
Encastré UGR/ d'Ambiance



Compatible lighting with installations that require UGR<19

## 511D

Empotrable UGR /Ambiente  
Recessed UGR /Ambience Spotlight  
Encastré UGR /d'Ambiance



Compatible lighting with installations that require UGR<19

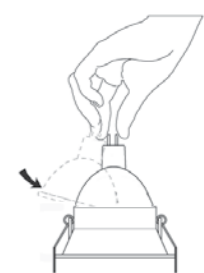
### 510D - 90

1 - Model	2 - Color
510D	01 Black / Negro / Noir
	90 Tec. White / Blanco Téc. / Blanc Tech.



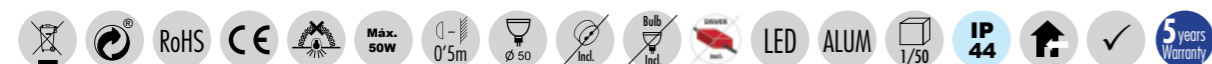
### 511D - 90

1 - Model	2 - Color
511D	01 Black / Negro / Noir
	90 Tec. White / Blanco Téc. / Blanc Tech.



▼ Optional

LED Module COB (page 388-389)	LED Module SMD (page 387)	Lampholder (page 390)
<ul style="list-style-type: none"> <li>HLX08 2700K 828Lm</li> <li>HLX08 3000K 849Lm</li> <li>HLX08 4000K 891Lm</li> </ul>	<ul style="list-style-type: none"> <li>HLP06-1990 CCT Switch</li> <li>3000K 432Lm</li> <li>4000K 467Lm</li> </ul>	<ul style="list-style-type: none"> <li>1PHG GU-10 100-240V</li> <li>1PHB GU-10/GZ-10 100-240V</li> <li>1DH1 Fast Safety connector</li> <li>1DH3 GU-10 Safety distancing</li> </ul>
<ul style="list-style-type: none"> <li>HLX12 2700K 1207Lm</li> <li>HLX12 3000K 1238Lm</li> <li>HLX12 4000K 1300Lm</li> </ul>	<p>Bulb LED GU-10 (page 386)</p> <ul style="list-style-type: none"> <li>1LHG-300 CCT Switch</li> <li>3000K 452Lm</li> <li>4000K 478Lm</li> </ul>	
<ul style="list-style-type: none"> <li>HLHLX-01 Honeycomb Acc.</li> </ul>		



The above information is basic. For updated and more accurate information, please consult Technical Data Sheet on [www.jisoiluminacion.com](http://www.jisoiluminacion.com)

▼ Optional

LED Module COB (page 388-389)	LED Module SMD (page 387)	Lampholder (page 390)
<ul style="list-style-type: none"> <li>HLX08 2700K 828Lm</li> <li>HLX08 3000K 849Lm</li> <li>HLX08 4000K 891Lm</li> </ul>	<ul style="list-style-type: none"> <li>HLP06-1990 CCT Switch</li> <li>3000K 432Lm</li> <li>4000K 467Lm</li> </ul>	<ul style="list-style-type: none"> <li>1PHG GU-10 100-240V</li> <li>1PHB GU-10/GZ-10 100-240V</li> <li>1DH1 Fast Safety connector</li> <li>1DH3 GU-10 Safety distancing</li> </ul>
<ul style="list-style-type: none"> <li>HLX12 2700K 1207Lm</li> <li>HLX12 3000K 1238Lm</li> <li>HLX12 4000K 1300Lm</li> </ul>	<p>Bulb LED GU-10 (page 386)</p> <ul style="list-style-type: none"> <li>1LHG-300 CCT Switch</li> <li>3000K 452Lm</li> <li>4000K 478Lm</li> </ul>	
<ul style="list-style-type: none"> <li>HLHLX-01 Honeycomb Acc.</li> </ul>		

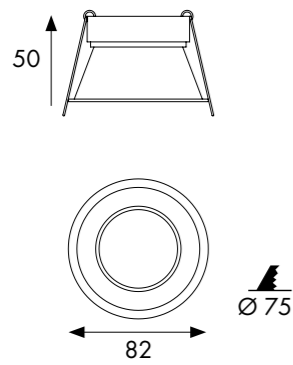


The above information is basic. For updated and more accurate information, please consult Technical Data Sheet on [www.jisoiluminacion.com](http://www.jisoiluminacion.com)



### 438D

Empotrable UGR/ Ambiente  
Recessed UGR/ Ambience Spotlight  
Encastré UGR/ d'Ambiance



Compatible lighting with installations that require UGR<19

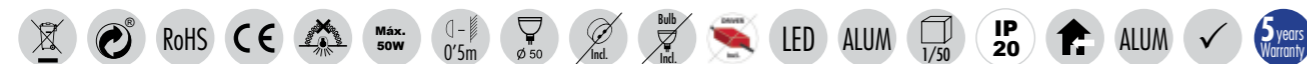
#### 438D - 01

1 - Model	2 - Color
438D	01 Black / Negro / Noir
	09 Tec. Gold / Oro Téc. / Or Tech.
	90 Tec. White / Blanco Téc. / Blanc Tech.



▼ Optional

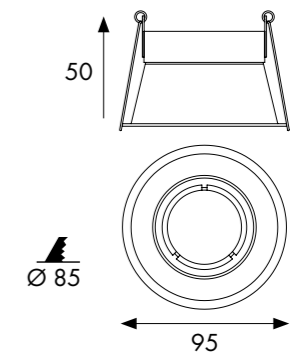
LED Module COB (page 388-389)	LED Module SMD (page 387)	Lampholder (page 390)
HLX08 2700K 828Lm	HLP06-1990 CCT Switch	1PHG GU-10 100-240V
HLX08 3000K 849Lm	3000K 432Lm	1PHB GU-10/GZ-10 100-240V
HLX08 4000K 891Lm	4000K 467Lm	1DH1 Fast Safety connector
HLX12 2700K 1207Lm	Bulb LED GU-10 (page 386)	1DH3 GU-10 Safety distancing
HLX12 3000K 1238Lm		1LHG-300 CCT Switch
HLX12 4000K 1300Lm		3000K 452Lm
HLHLX-01 Honeycomb Acc.	4000K 478Lm	



The above information is basic. For updated and more accurate information, please consult Technical Data Sheet on [www.jisoiluminacion.com](http://www.jisoiluminacion.com)

### 431D

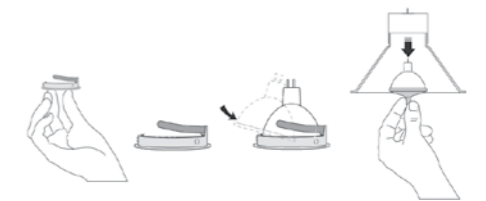
Empotrable Basculante UGR /Ambiente  
Recessed Swivel UGR /Ambience Spotlight  
Encastré Basculant UGR /d'Ambiance



Compatible lighting with installations that require UGR<19

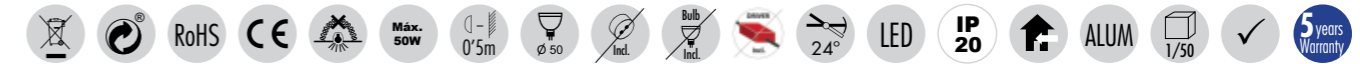
#### 431D - 90

1 - Model	2 - Color
431D	01 Black / Negro / Noir
	90 Tec. White / Blanco Téc. / Blanc Tech.



▼ Optional

LED Module COB (page 388-389)	LED Module SMD (page 387)	Lampholder (page 390)
HLX08 2700K 828Lm	HLP06-1990 CCT Switch	1PHG GU-10 100-240V
HLX08 3000K 849Lm	3000K 432Lm	1PHB GU-10/GZ-10 100-240V
HLX08 4000K 891Lm	4000K 467Lm	1DH1 Fast Safety connector
HLX12 2700K 1207Lm	Bulb LED GU-10 (page 386)	1DH3 GU-10 Safety distancing
HLX12 3000K 1238Lm		1LHG-300 CCT Switch
HLX12 4000K 1300Lm		3000K 452Lm
HLHLX-01 Honeycomb Acc.	4000K 478Lm	

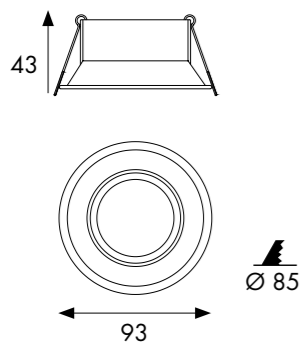


The above information is basic. For updated and more accurate information, please consult Technical Data Sheet on [www.jisoiluminacion.com](http://www.jisoiluminacion.com)



### 432D

Empotrable Basculante UGR /Ambiente  
Recessed Swivel UGR /Ambience Spotlight  
Encastré Basculant UGR /d'Ambiance



Compatible lighting with installations that require UGR<19



### 432D - 90

1 - Model	2 - Color
432D	01 Black / Negro / Noir 90 Tec. White / Blanco Téc. / Blanc Tech.

▼ Optional

LED Module COB (page 388-389)	LED Module SMD (page 387)	Lampholder (page 390)
HLX08 2700K 828Lm HLX08 3000K 849Lm HLX08 4000K 891Lm	HLP06-1990 CCT Switch 3000K 432Lm 4000K 467Lm	1PHG GU-10 100-240V 1PHB GU-10/GZ-10 100-240V 1DH1 Fast Safety connector 1DH3 GU-10 Safety distancing
HLX12 2700K 1207Lm HLX12 3000K 1238Lm HLX12 4000K 1300Lm HLHLX-01 Honeycomb Acc.	Bulb LED GU-10 (page 386) 1LHG-300 CCT Switch 3000K 452Lm 4000K 478Lm	



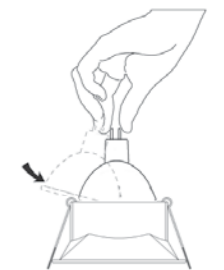
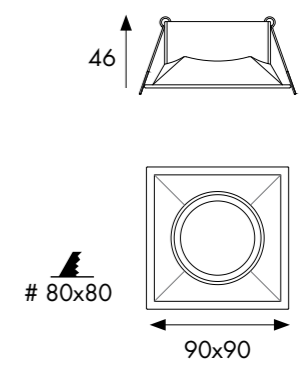
The above information is basic. For updated and more accurate information, please consult Technical Data Sheet on [www.jisoiluminacion.com](http://www.jisoiluminacion.com)

### 434D

Empotrable Basculante UGR /Ambiente  
Recessed Swivel UGR /Ambience Spotlight  
Encastré Basculant UGR /d'Ambiance



Compatible lighting with installations that require UGR<19



### 434D - 90

1 - Model	2 - Color
434D	90 Tec. White / Blanco Téc. / Blanc Tech.

▼ Optional

LED Module COB (page 388-389)	LED Module SMD (page 387)	Lampholder (page 390)
HLX08 2700K 828Lm HLX08 3000K 849Lm HLX08 4000K 891Lm	HLP06-1990 CCT Switch 3000K 432Lm 4000K 467Lm	1PHG GU-10 100-240V 1PHB GU-10/GZ-10 100-240V 1DH1 Fast Safety connector 1DH3 GU-10 Safety distancing
HLX12 2700K 1207Lm HLX12 3000K 1238Lm HLX12 4000K 1300Lm HLHLX-01 Honeycomb Acc.	Bulb LED GU-10 (page 386) 1LHG-300 CCT Switch 3000K 452Lm 4000K 478Lm	



The above information is basic. For updated and more accurate information, please consult Technical Data Sheet on [www.jisoiluminacion.com](http://www.jisoiluminacion.com)



## Technical Capsule

Light Integrated LED P.260



00901 P.261



55108 P.263



55115 P.264



55122 P.265



50608 P.266



50615 P.267



50625 P.268



50708 P.269



50715 P.270



50725 P.271



59308 P.273

Light Without Technology P.274



739D P.274



703D P.275

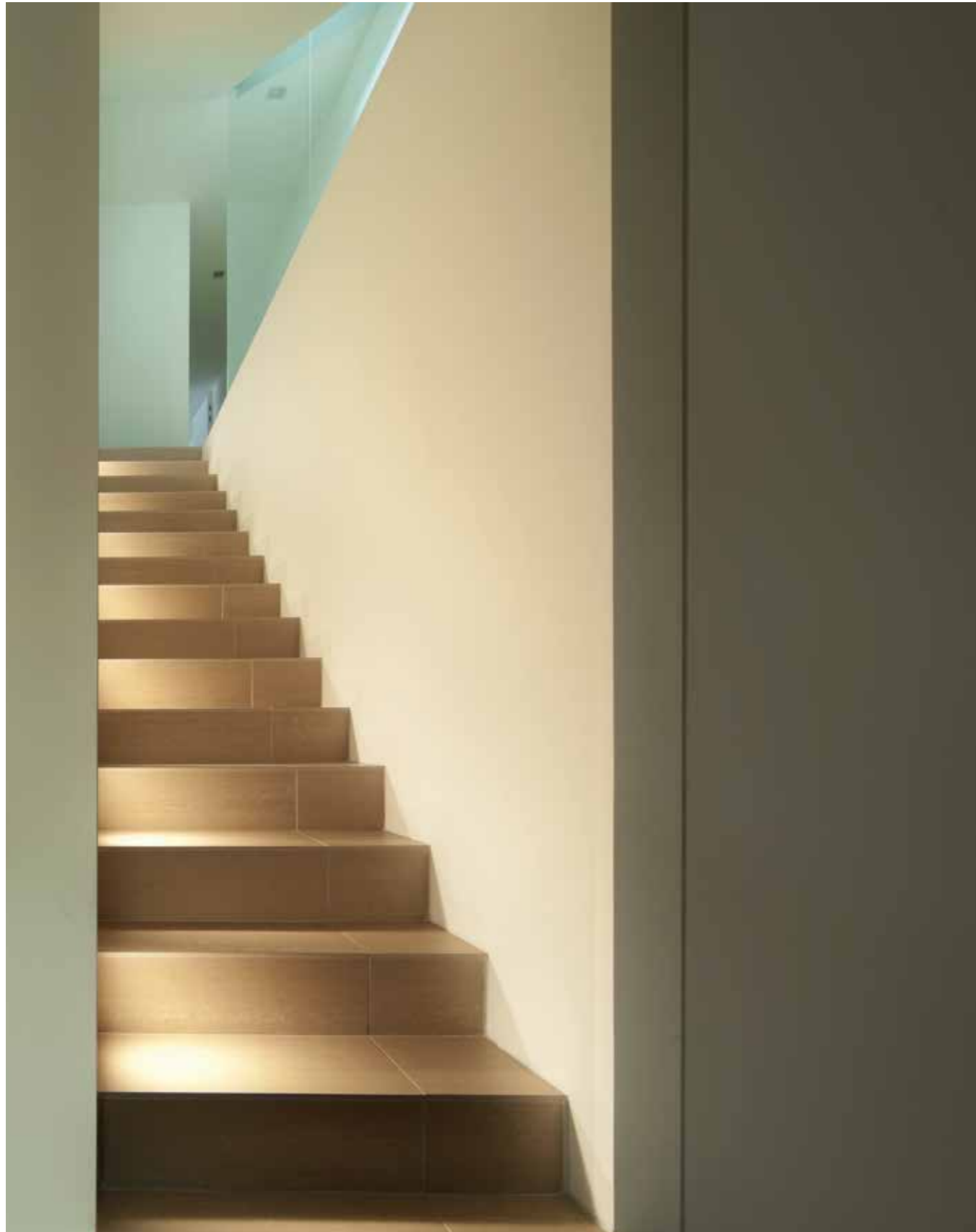


704D P.276



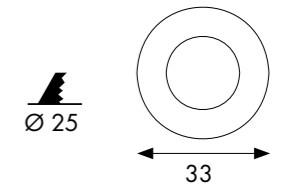
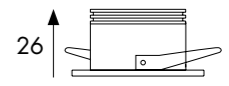
724D P.277

Available ● Black/Negro/Noir



00901

Downlight LED Micro



009 01 - 29 6 3 - 90

1 - Model	2 - W	3 - Driver	4 - Brand Chip	5 - K	6 - Color
009	1	21 - ON-OFF AC100-240V PF >0,5	5 - Epistar	3 - 3000 65 Lm System 100 Lm Source	90 T. White / Blanco T. / Blanc T.

LED CHIP: COB - CRI>80 - L70 / 30.000H - 100 lm/W - RG1



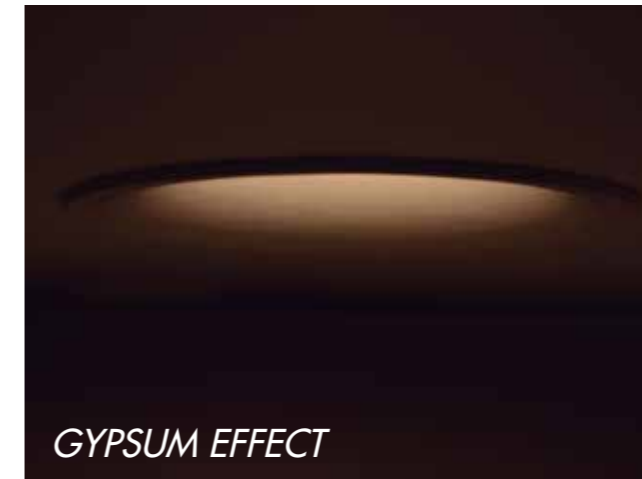
The above information is basic. For updated and more accurate information, please consult Technical Data Sheet on [www.jisoiluminacion.com](http://www.jisoiluminacion.com)  
Consult general issues - [www.jisoiluminacion.com](http://www.jisoiluminacion.com) (Download - Technical Information)



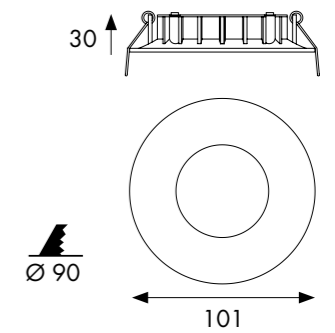


## 55108

Downlight LED



Compatible lighting with installations that require UGR<19



### 551 08 - 21 8 4 - 90

1 2 3 4 5 6

1 - Model	2 - W	3 - Driver	4 - Brand Chip	5 - K	6 - Color
551	8	<ul style="list-style-type: none"> <li>⏻ 21 - ON-OFF AC220-240V PF &gt;0,9</li> <li>⏻ 23 - ON-OFF AC220-240V PF &gt;0,9</li> <li>⚡ 47 - DALI/PUSH/1-10V AC200-240V PF &gt;0,9</li> <li>⚡ 51 - Trailing Edge AC220-240V PF &gt;0,9</li> <li>⚡ SMART CONTROL See Page. 414</li> </ul>	8 - Edison	<ul style="list-style-type: none"> <li>0 - CCT Switch (2700K-3000K-4000K)</li> <li>3 - ■ 3000 428 Lm System 960 Lm Source</li> <li>4 - ■ 4000 456 Lm System 960 Lm Source</li> </ul>	<ul style="list-style-type: none"> <li>01 Black / Negro / Noir (CCT Switch)</li> <li>90 T. White / Blanco T. / Blanc T. (3000K&amp;4000K)</li> </ul>

▼ Accessories not included

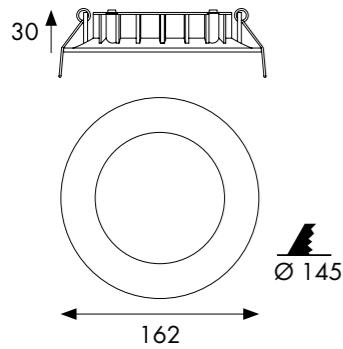
Emergency Kit	
2DCLEDK1	1 h
2DCLEDK2	3 h
2DCLEDK5	3 h
2DCLEDK29	3 h

LED CHIP: SMD 2835 - CRI>80 - L70B10 / 50.000H - 120lm/W (4000K) - RGO



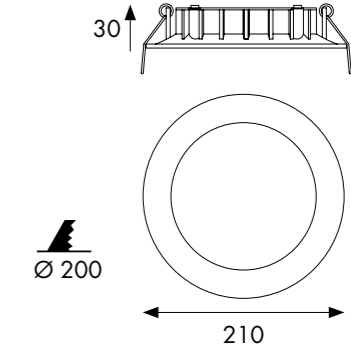
The above information is basic. For updated and more accurate information, please consult Technical Data Sheet on [www.jisoiluminacion.com](http://www.jisoiluminacion.com)  
 Consult general issues - [www.jisoiluminacion.com](http://www.jisoiluminacion.com) (Download - Technical Information)  
 Consult Instructions Emergency kit on [www.jisoiluminacion.com](http://www.jisoiluminacion.com)  
 Consult instructions to Driver configuration - page 470  
 Consult instructions to Driver dimmable Trailing Edge, 1-10V, DALI and Push - [www.jisoiluminacion.com](http://www.jisoiluminacion.com) (Download - Technical Information)  
 Consult instructions to Driver dimmable Smart Control - page 414

55115  
Downlight LED



Compatible lighting with installations that require UGR<19

55122  
Downlight LED



Compatible lighting with installations that require UGR<19

551 15 - 21 8 4 - 90

1 - Model	2 - W	3 - Driver	4 - Brand Chip	5 - K	6 - Color
551	15	<ul style="list-style-type: none"> <li>21 - ON-OFF AC220-240V PF &gt;0,9</li> <li>23 - ON-OFF AC220-240V PF &gt;0,95</li> <li>47 - DALI/PUSH/1-10V AC200-240V PF &gt;0,95</li> <li>51 - Trailing Edge AC220-240V PF &gt;0,9</li> <li>SMART CONTROL See Page. 414</li> </ul>	8 - Edison	<ul style="list-style-type: none"> <li>3 - 3000 902 Lm System 1800 Lm Source</li> <li>4 - 4000 1085 Lm System 1800 Lm Source</li> </ul>	<ul style="list-style-type: none"> <li>90 T. White / Blanco T. / Blanc T.</li> </ul>

▼ Accessories not included

Emergency Kit	
2DCLEDK1	1 h
2DCLEDK2	3 h
2DCLEDK5	3 h
2DCLEDK29	3 h

LED CHIP: SMD 2835 - CRI>80 - L70B10 / 50.000H - 120lm/W (4000K) - RGO



The above information is basic. For updated and more accurate information, please consult Technical Data Sheet on [www.jisoiluminacion.com](http://www.jisoiluminacion.com)  
 Consult general issues - [www.jisoiluminacion.com](http://www.jisoiluminacion.com) (Download - Technical Information)  
 Consult Instructions Emergency kit on [www.jisoiluminacion.com](http://www.jisoiluminacion.com)  
 Consult instructions to Driver configuration - page 470  
 Consult instructions to Driver dimmable Trailing Edge, 1-10V, DALI and Push - [www.jisoiluminacion.com](http://www.jisoiluminacion.com) (Download - Technical Information)  
 Consult instructions to Driver dimmable Smart Control - page 414

551 22 - 21 8 4 - 90

1 - Model	2 - W	3 - Driver	4 - Brand Chip	5 - K	6 - Color
551	22	<ul style="list-style-type: none"> <li>21 - ON-OFF AC220-240V PF &gt;0,9</li> <li>23 - ON-OFF AC220-240V PF &gt;0,95</li> <li>47 - DALI/PUSH/1-10V AC200-240V PF &gt;0,95</li> <li>51 - Trailing Edge AC220-240V PF &gt;0,9</li> <li>SMART CONTROL See Page. 414</li> </ul>	8 - Edison	<ul style="list-style-type: none"> <li>0 - CCT Switch (2700K-3000K-4000K)</li> <li>3 - 3000 1722 Lm System 2640 Lm Source</li> <li>4 - 4000 1789 Lm System 2640 Lm Source</li> </ul>	<ul style="list-style-type: none"> <li>01 Black / Negro / Noir (CCT Switch)</li> <li>90 T. White / Blanco T. / Blanc T. (3000K&amp;4000K)</li> </ul>

▼ Accessories not included

Trim to cover hole	DC51040 - 200-230
Emergency Kit	
2DCLEDK1	1 h
2DCLEDK2	3 h
2DCLEDK5	3 h
2DCLEDK29	3 h

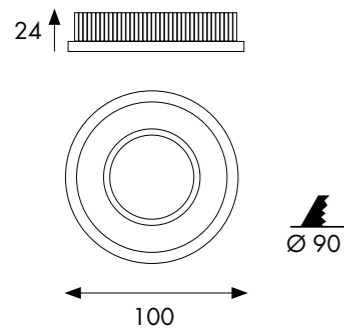
LED CHIP: SMD 2835 - CRI>80 - L70B10 / 50.000H - 120lm/W (4000K) - RGO



The above information is basic. For updated and more accurate information, please consult Technical Data Sheet on [www.jisoiluminacion.com](http://www.jisoiluminacion.com)  
 Consult general issues - [www.jisoiluminacion.com](http://www.jisoiluminacion.com) (Download - Technical Information)  
 Consult Instructions Emergency kit on [www.jisoiluminacion.com](http://www.jisoiluminacion.com)  
 Consult instructions to Driver configuration - page 470  
 Consult instructions to Driver dimmable Trailing Edge, 1-10V, DALI and Push - [www.jisoiluminacion.com](http://www.jisoiluminacion.com) (Download - Technical Information)  
 Consult instructions to Driver dimmable Smart Control - page 414



50608  
Downlight LED

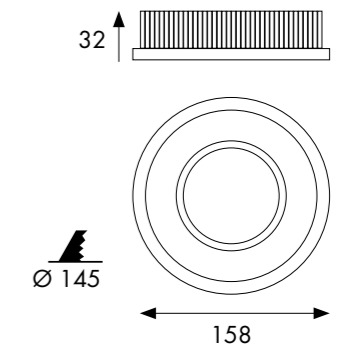


Compatible lighting with installations that require UGR<19

50615  
Downlight LED



Compatible lighting with installations that require UGR<19



506 08 - 21 8 4 - 90

1 - Model	2 - W	3 - Driver	4 - Brand Chip	5 - K	6 - Color
506	8	<ul style="list-style-type: none"> <li>21 - ON-OFF AC220-240V PF &gt;0,9</li> <li>23 - ON-OFF AC220-240V PF &gt;0,9</li> <li>47 - DALI/PUSH/1-10V AC200-240V PF &gt;0,9</li> <li>51 - Trailing Edge AC220-240V PF &gt;0,9</li> <li>SMART CONTROL See Page. 414</li> </ul>	8 - Edison	<ul style="list-style-type: none"> <li>3 - 3000 478 Lm System 960 Lm Source</li> <li>4 - 4000 522 Lm System 960 Lm Source</li> </ul>	90 T. White / Blanco T. / Blanc T.

▼ Accessories not included

Emergency Kit	
2DCLEDK1	1 h
2DCLEDK2	3 h
2DCLEDK5	3 h
2DCLEDK29	3 h

LED CHIP: SMD 2835 - CRI>80 - L70B10 / 50.000H - 120lm/W (4000K) - RGO



The above information is basic. For updated and more accurate information, please consult Technical Data Sheet on [www.jisoiluminacion.com](http://www.jisoiluminacion.com)  
 Consult general issues - [www.jisoiluminacion.com](http://www.jisoiluminacion.com) (Download - Technical Information)  
 Consult Instructions Emergency kit on [www.jisoiluminacion.com](http://www.jisoiluminacion.com)  
 Consult instructions to Driver configuration - page 470  
 Consult instructions to Driver dimmable Trailing Edge, 1-10V, DALI and Push - [www.jisoiluminacion.com](http://www.jisoiluminacion.com) (Download - Technical Information)  
 Consult instructions to Driver dimmable Smart Control - page 414

506 15 - 21 8 4 - 90

1 - Model	2 - W	3 - Driver	4 - Brand Chip	5 - K	6 - Color
506	15	<ul style="list-style-type: none"> <li>21 - ON-OFF AC220-240V PF &gt;0,9</li> <li>23 - ON-OFF AC220-240V PF &gt;0,95</li> <li>47 - DALI/PUSH/1-10V AC200-240V PF &gt;0,95</li> <li>51 - Trailing Edge AC220-240V PF &gt;0,9</li> <li>SMART CONTROL See Page. 414</li> </ul>	8 - Edison	<ul style="list-style-type: none"> <li>3 - 3000 965 Lm System 1800 Lm Source</li> <li>4 - 4000 1016 Lm System 1800 Lm Source</li> </ul>	90 T. White / Blanco T. / Blanc T.

▼ Accessories not included

Emergency Kit	
2DCLEDK1	1 h
2DCLEDK2	3 h
2DCLEDK5	3 h
2DCLEDK29	3 h

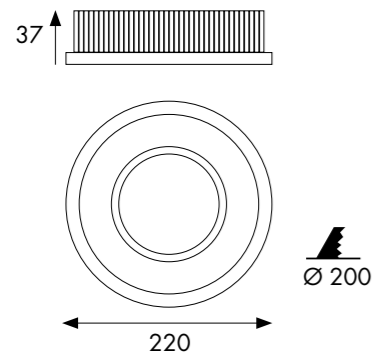
LED CHIP: SMD 2835 - CRI>80 - L70B10 / 50.000H - 120lm/W (4000K) - RGO



The above information is basic. For updated and more accurate information, please consult Technical Data Sheet on [www.jisoiluminacion.com](http://www.jisoiluminacion.com)  
 Consult general issues - [www.jisoiluminacion.com](http://www.jisoiluminacion.com) (Download - Technical Information)  
 Consult Instructions Emergency kit on [www.jisoiluminacion.com](http://www.jisoiluminacion.com)  
 Consult instructions to Driver configuration - page 470  
 Consult instructions to Driver dimmable Trailing Edge, 1-10V, DALI and Push - [www.jisoiluminacion.com](http://www.jisoiluminacion.com) (Download - Technical Information)  
 Consult instructions to Driver dimmable Smart Control - page 414



50625  
Downlight LED

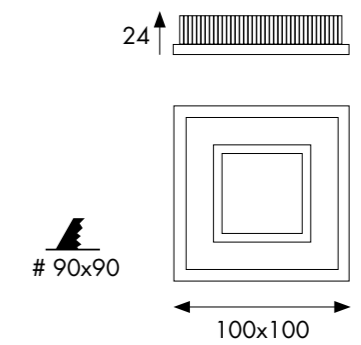


Compatible lighting with installations that require UGR<19

50708\*  
Downlight LED



Compatible lighting with installations that require UGR<19



506 25 - 21 8 4 - 90

1 - Model	2 - W	3 - Driver	4 - Brand Chip	5 - K	6 - Color
506	25	<ul style="list-style-type: none"> <li>21 - ON-OFF AC220-240V PF &gt;0,9</li> <li>23 - ON-OFF AC220-240V PF &gt;0,95</li> <li>47 - DALI/PUSH/1-10V AC200-240V PF &gt;0,95</li> <li>51 - Trailing Edge AC220-240V PF &gt;0,9</li> <li>SMART CONTROL See Page. 414</li> </ul>	8 - Edison	<ul style="list-style-type: none"> <li>3 - 3000 1835 Lm System 3000 Lm Source</li> <li>4 - 4000 1932 Lm System 3000 Lm Source</li> </ul>	90 T. White / Blanco T. / Blanc T.

- ▼ Accessories not included
- Waterproof silicone
  - G01-200213 - RT2012
  - Trim to cover hole
  - DC50322 - 200-240
- Emergency Kit
- |           |     |
|-----------|-----|
| 2DCLEDK1  | 1 h |
| 2DCLEDK2  | 3 h |
| 2DCLEDK5  | 3 h |
| 2DCLEDK29 | 3 h |

LED CHIP: SMD 2835 - CRI>80 - L70B10 / 50.000H - 120lm/W (4000K) - RGO



The above information is basic. For updated and more accurate information, please consult Technical Data Sheet on [www.jisoiluminacion.com](http://www.jisoiluminacion.com)  
 Consult general issues - [www.jisoiluminacion.com](http://www.jisoiluminacion.com) (Download - Technical Information)  
 Consult Instructions Emergency kit on [www.jisoiluminacion.com](http://www.jisoiluminacion.com)  
 Consult instructions to Driver configuration - page 470  
 Consult instructions to Driver dimmable Trailing Edge, 1-10V, DALI and Push - [www.jisoiluminacion.com](http://www.jisoiluminacion.com) (Download - Technical Information)  
 Consult instructions to Driver dimmable Smart Control - page 414

507 08 - 21 8 4 - 90

1 - Model	2 - W	3 - Driver	4 - Brand Chip	5 - K	6 - Color
507	8	<ul style="list-style-type: none"> <li>21 - ON-OFF AC220-240V PF &gt;0,9</li> <li>23 - ON-OFF AC220-240V PF &gt;0,9</li> <li>47 - DALI/PUSH/1-10V AC200-240V PF &gt;0,9</li> <li>51 - Trailing Edge AC220-240V PF &gt;0,9</li> <li>SMART CONTROL See Page. 414</li> </ul>	8 - Edison	<ul style="list-style-type: none"> <li>3 - 3000 518 Lm System 960 Lm Source</li> <li>4 - 4000 545 Lm System 960 Lm Source</li> </ul>	90 T. White / Blanco T. / Blanc T.

- ▼ Accessories not included
- Emergency Kit
- |           |     |
|-----------|-----|
| 2DCLEDK1  | 1 h |
| 2DCLEDK2  | 3 h |
| 2DCLEDK5  | 3 h |
| 2DCLEDK29 | 3 h |

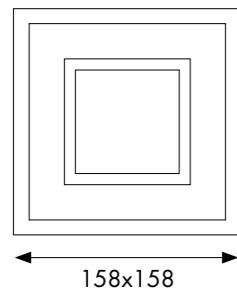
LED CHIP: SMD 2835 - CRI>80 - L70B10 / 50.000H - 120lm/W (4000K) - RGO



The above information is basic. For updated and more accurate information, please consult Technical Data Sheet on [www.jisoiluminacion.com](http://www.jisoiluminacion.com)  
 Consult general issues - [www.jisoiluminacion.com](http://www.jisoiluminacion.com) (Download - Technical Information)  
 Consult Instructions Emergency kit on [www.jisoiluminacion.com](http://www.jisoiluminacion.com)  
 Consult instructions to Driver configuration - page 470  
 Consult instructions to Driver dimmable Trailing Edge, 1-10V, DALI and Push - [www.jisoiluminacion.com](http://www.jisoiluminacion.com) (Download - Technical Information)  
 Consult instructions to Driver dimmable Smart Control - page 414  
 \* Available reference up to the end of stock.

# INDOOR Technical

Capsule. COMFORT Recessed Technical | Light Integrated LED



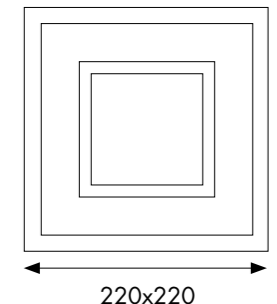
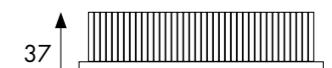
# 145x145

50715\*

Downlight LED

50725

Downlight LED



# 200x200

507 15 - 21 8 4 - 90

1 - Model	2 - W	3 - Driver	4 - Brand Chip	5 - K	6 - Color
507	15	<ul style="list-style-type: none"> <li>21 - ON-OFF AC220-240V PF &gt;0,9</li> <li>23 - ON-OFF AC220-240V PF &gt;0,95</li> <li>47 - DALI/PUSH/1-10V AC200-240V PF &gt;0,95</li> <li>51 - Trailing Edge AC220-240V PF &gt;0,9</li> <li>SMART CONTROL See Page. 414</li> </ul>	8 - Edison	<ul style="list-style-type: none"> <li>3 - 3000 1036 Lm System 1800 Lm Source</li> <li>4 - 4000 1091 Lm System 1800 Lm Source</li> </ul>	90 T. White / Blanco T. / Blanc T.

▼ Accessories not included

Emergency Kit	
2DCLEDK1	1 h
2DCLEDK2	3 h
2DCLEDK5	3 h
2DCLEDK29	3 h

LED CHIP: SMD 2835 - CRI>80 - L70B10 / 50.000H - 120lm/W (4000K) - RGO



The above information is basic. For updated and more accurate information, please consult Technical Data Sheet on [www.jisoiluminacion.com](http://www.jisoiluminacion.com)

Consult general issues - [www.jisoiluminacion.com](http://www.jisoiluminacion.com) (Download - Technical Information)

Consult Instructions Emergency kit on [www.jisoiluminacion.com](http://www.jisoiluminacion.com)

Consult instructions to Driver configuration - page 470

Consult instructions to Driver dimmable Trailing Edge, 1-10V, DALI and Push - [www.jisoiluminacion.com](http://www.jisoiluminacion.com) (Download - Technical Information)

Consult instructions to Driver dimmable Smart Control - page 414

\* Available reference up to the end of stock.

507 25 - 21 8 4 - 90

1 - Model	2 - W	3 - Driver	4 - Brand Chip	5 - K	6 - Color
507	25	<ul style="list-style-type: none"> <li>21 - ON-OFF AC220-240V PF &gt;0,9</li> <li>23 - ON-OFF AC220-240V PF &gt;0,95</li> <li>47 - DALI/PUSH/1-10V AC200-240V PF &gt;0,95</li> <li>51 - Trailing Edge AC220-240V PF &gt;0,9</li> <li>SMART CONTROL See Page. 414</li> </ul>	8 - Edison	<ul style="list-style-type: none"> <li>3 - 3000 1795 Lm System 3000 Lm Source</li> <li>4 - 4000 1889 Lm System 3000 Lm Source</li> </ul>	90 T. White / Blanco T. / Blanc T.

▼ Accessories not included

Trim to cover hole

DC50422 - 200-240

Emergency Kit

2DCLEDK1	1 h
2DCLEDK2	3 h
2DCLEDK5	3 h
2DCLEDK29	3 h

LED CHIP: SMD 2835 - CRI>80 - L70B10 / 50.000H - 120lm/W (4000K) - RGO



The above information is basic. For updated and more accurate information, please consult Technical Data Sheet on [www.jisoiluminacion.com](http://www.jisoiluminacion.com)

Consult general issues - [www.jisoiluminacion.com](http://www.jisoiluminacion.com) (Download - Technical Information)

Consult Instructions Emergency kit on [www.jisoiluminacion.com](http://www.jisoiluminacion.com)

Consult instructions to Driver configuration - page 470

Consult instructions to Driver dimmable Trailing Edge, 1-10V, DALI and Push - [www.jisoiluminacion.com](http://www.jisoiluminacion.com) (Download - Technical Information)

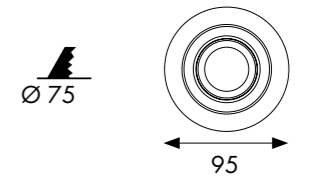
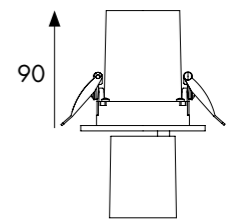
Consult instructions to Driver dimmable Smart Control - page 414



Compatible lighting with installations that require UGR<19

## 59308

Downlight LED Direccionable  
Downlight LED Directional  
Downlight LED Orientable



### 593 08 - 21 5 3 - 90

1 - Model	2 - W	3 - Driver	4 - Brand Chip	5 - K	6 - Color
593	8	<ul style="list-style-type: none"> <li>21 - ON-OFF AC220-240V PF &gt;0,9</li> <li>37 - 1-10V AC220-240V PF &gt;0,95</li> <li>51 - Trailing Edge (6W) AC220-240V PF &gt;0,9</li> <li>D7 - DALI/PUSH AC220-240V PF &gt;0,95</li> <li>SMART CONTROL See Page. 414</li> </ul>	5 - Edison	<ul style="list-style-type: none"> <li>2 - 2700K 902 Lm System 1048 Lm Source</li> <li>3 - 3000 942 Lm System 1080 Lm Source</li> </ul>	<ul style="list-style-type: none"> <li>01 Black / Negro / Noir</li> <li>90 T. White / Blanco T. / Blanc T.</li> </ul>

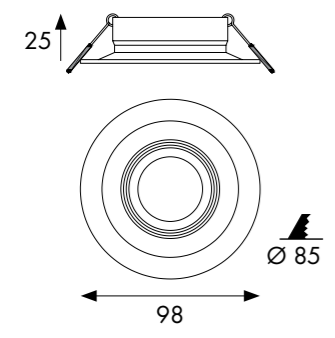
▼ Accessories not included

Emergency Kit		
2DCLEDK1	TCI	1 h
2DCLEDK2	TCI	3 h

LED CHIP: COB - CRI>80 - L70B10 / 50.000H - 138lm/W (3000K) - RG1



The above information is basic. For updated and more accurate information, please consult Technical Data Sheet on [www.jisoiluminacion.com](http://www.jisoiluminacion.com)  
 Consult general issues - [www.jisoiluminacion.com](http://www.jisoiluminacion.com) (Download - Technical Information)  
 Consult Instructions Emergency kit on [www.jisoiluminacion.com](http://www.jisoiluminacion.com)  
 Consult instructions to Driver configuration - page 470  
 Consult instructions to Driver dimmable Trailing Edge, 1-10V, DALI and Push - [www.jisoiluminacion.com](http://www.jisoiluminacion.com) (Download - Technical Information)  
 Consult instructions to Driver dimmable Smart Control - page 414



739D

Empotrable Basculante  
Recessed Swivel Spotlight  
Encastré Basculant



739D - 90

1 - Model	2 - Color
739D	90 Tec. White / Blanco Téc. / Blanc Tech.

Optional

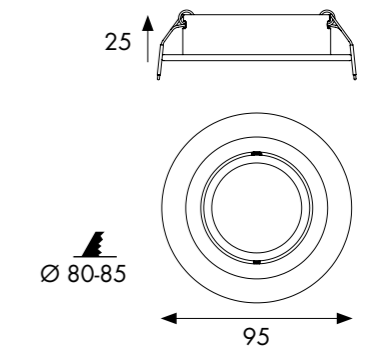
LED Module COB (page 388-389)	LED Module SMD (page 387)	Lampholder (page 390)
HLX08-2152 2700K 828Lm	HLP06-1990 CCT Switch 3000K 432Lm 4000K 467Lm	1PHG GU-10 100-240V
HLX08-2153 3000K 849Lm		1PHB GU-10/GZ-10 100-240V
HLX08-2154 4000K 891Lm		1DH1 Fast Safety connector
HLX12-2152 2700K 1207Lm	Bulb LED GU-10 (page 386) 1LHG-300 CCT Switch 3000K 452Lm 4000K 478Lm	1DH3 GU-10 Safety distancing
HLX12-2153 3000K 1238Lm		
HLX12-2154 4000K 1300Lm		
HLHLX-01 Honeycomb Acc.		



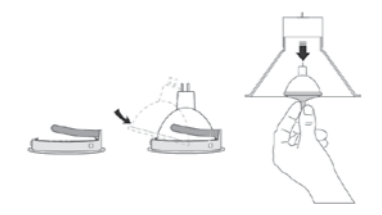
The above information is basic. For updated and more accurate information, please consult Technical Data Sheet on [www.jisoiluminacion.com](http://www.jisoiluminacion.com)

703D

Empotrable Basculante Orientable  
Recessed Swivel and Adjustable Spotlight  
Encastré Basculant et Orientable



Compatible lighting with installations that require UGR<19



703D - 90

1 - Model	2 - Color
703D	01 Black / Negro / Noir 05 Inox 90 Tec. White / Blanco Téc. / Blanc Tech.

Optional

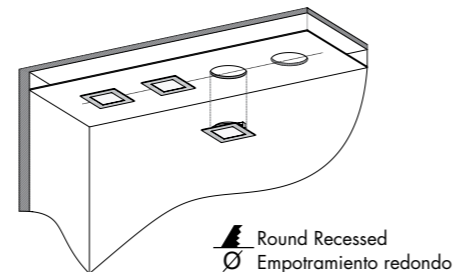
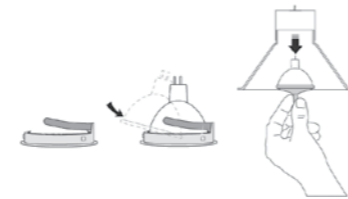
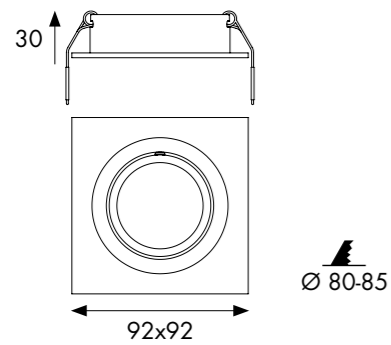
LED Module COB (page 388-389)	LED Module SMD (page 387)	Lampholder (page 390)
HLX08-2152 2700K 828Lm	HLP06-1990 CCT Switch 3000K 432Lm 4000K 467Lm	1PHG GU-10 100-240V
HLX08-2153 3000K 849Lm		1PHB GU-10/GZ-10 100-240V
HLX08-2154 4000K 891Lm		1DH1 Fast Safety connector
HLX12-2152 2700K 1207Lm	Bulb LED GU-10 (page 386) 1LHG-300 CCT Switch 3000K 452Lm 4000K 478Lm	1DH3 GU-10 Safety distancing
HLX12-2153 3000K 1238Lm		
HLX12-2154 4000K 1300Lm		
HLHLX-01 Honeycomb Acc.		



The above information is basic. For updated and more accurate information, please consult Technical Data Sheet on [www.jisoiluminacion.com](http://www.jisoiluminacion.com)

### 704D

Empotrable Basculante Orientable  
Recessed Swivel and Adjustable Spotlight  
Encastré Basculant et Orientable



### 704D - 90

1 - Model	2 - Color
704D	01 Black / Negro / Noir
	05 Inox
	90 Tec. White / Blanco Téc. / Blanc Tech.

▼ Optional

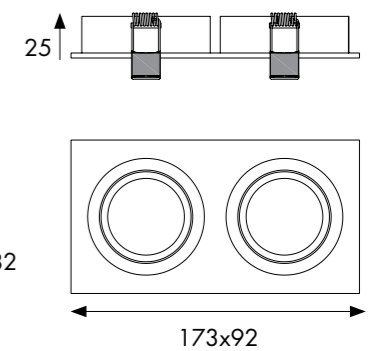
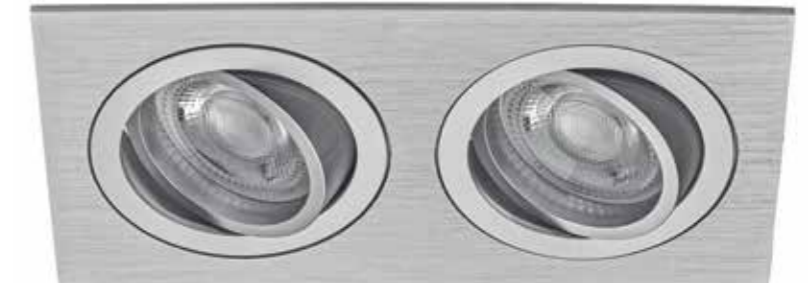
LED Module COB (page 388-389)	LED Module SMD (page 387)	Lampholder (page 390)
HLX08-2152 2700K 828Lm	HLP06-1990 CCT Switch	1PHG GU-10 100-240V
HLX08-2153 3000K 849Lm	3000K 432Lm	1PHB GU-10/GZ-10 100-240V
HLX08-2154 4000K 891Lm	4000K 467Lm	1DH1 Fast Safety connector
HLX12-2152 2700K 1207Lm	Bulb LED GU-10 (page 386)	1DH3 GU-10 Safety distancing
HLX12-2153 3000K 1238Lm		1LHG-300 CCT Switch
HLX12-2154 4000K 1300Lm	3000K 452Lm	
HLHLX-01 Honeycomb Acc.	4000K 478Lm	



The above information is basic. For updated and more accurate information, please consult Technical Data Sheet on [www.jisoiluminacion.com](http://www.jisoiluminacion.com)

### 724D

Empotrable Basculante Orientable  
Recessed Swivel and Adjustable Spotlight  
Encastré Basculant et Orientable



### 724D - 90

1 - Model	2 - Color
724D	05 Inox
	90 Tec. White / Blanco Téc. / Blanc Tech.

▼ Optional

LED Module COB (page 388-389)	LED Module SMD (page 387)	Lampholder (page 390)
HLX08-2152 2700K 828Lm	HLP06-1990 CCT Switch	1PHG GU-10 100-240V
HLX08-2153 3000K 849Lm	3000K 432Lm	1PHB GU-10/GZ-10 100-240V
HLX08-2154 4000K 891Lm	4000K 467Lm	1DH1 Fast Safety connector
HLX12-2152 2700K 1207Lm	Bulb LED GU-10 (page 386)	1DH3 GU-10 Safety distancing
HLX12-2153 3000K 1238Lm		1LHG-300 CCT Switch
HLX12-2154 4000K 1300Lm	3000K 452Lm	
HLHLX-01 Honeycomb Acc.	4000K 478Lm	



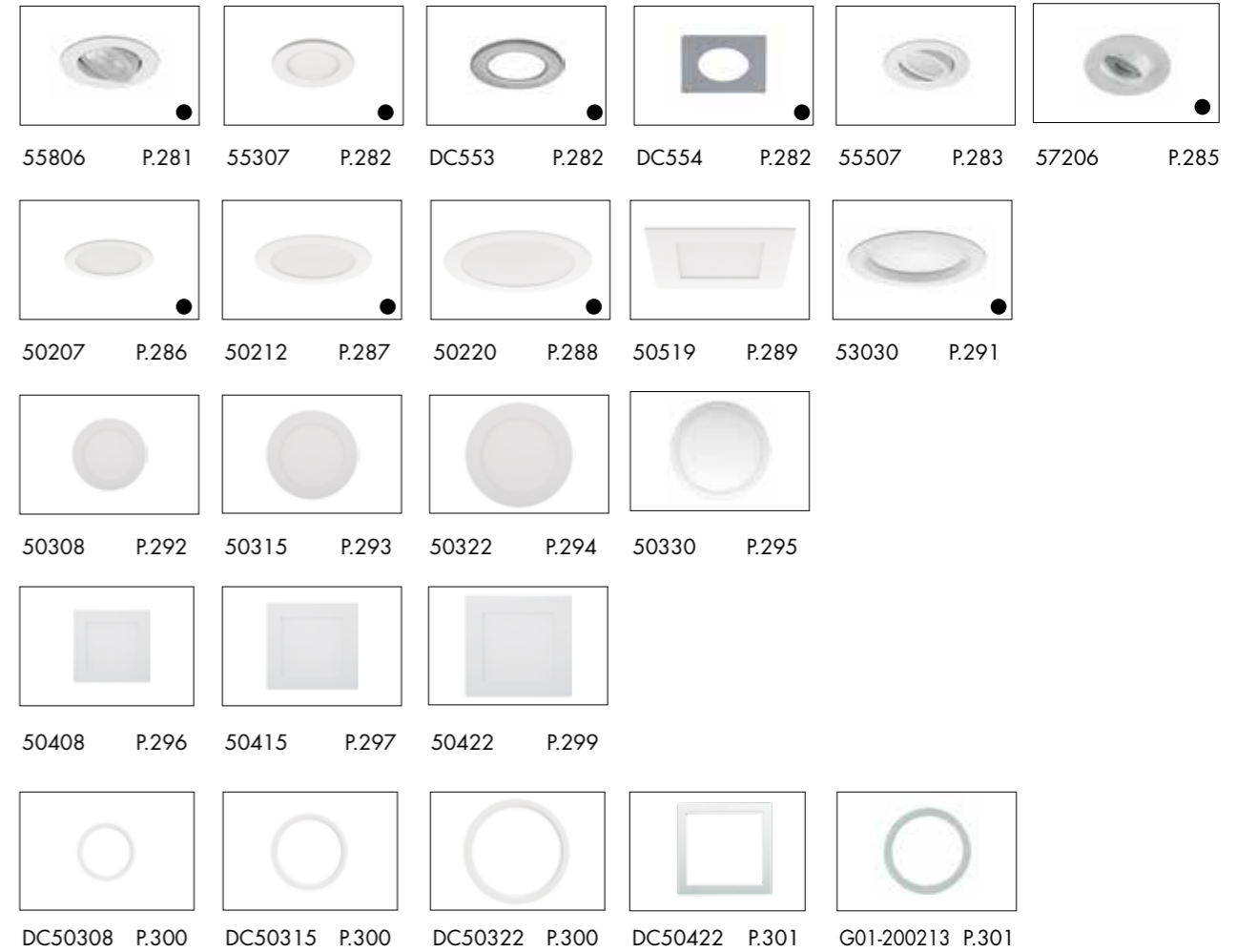
The above information is basic. For updated and more accurate information, please consult Technical Data Sheet on [www.jisoiluminacion.com](http://www.jisoiluminacion.com)





## Technical. Factory

### Light Integrated LED P.280

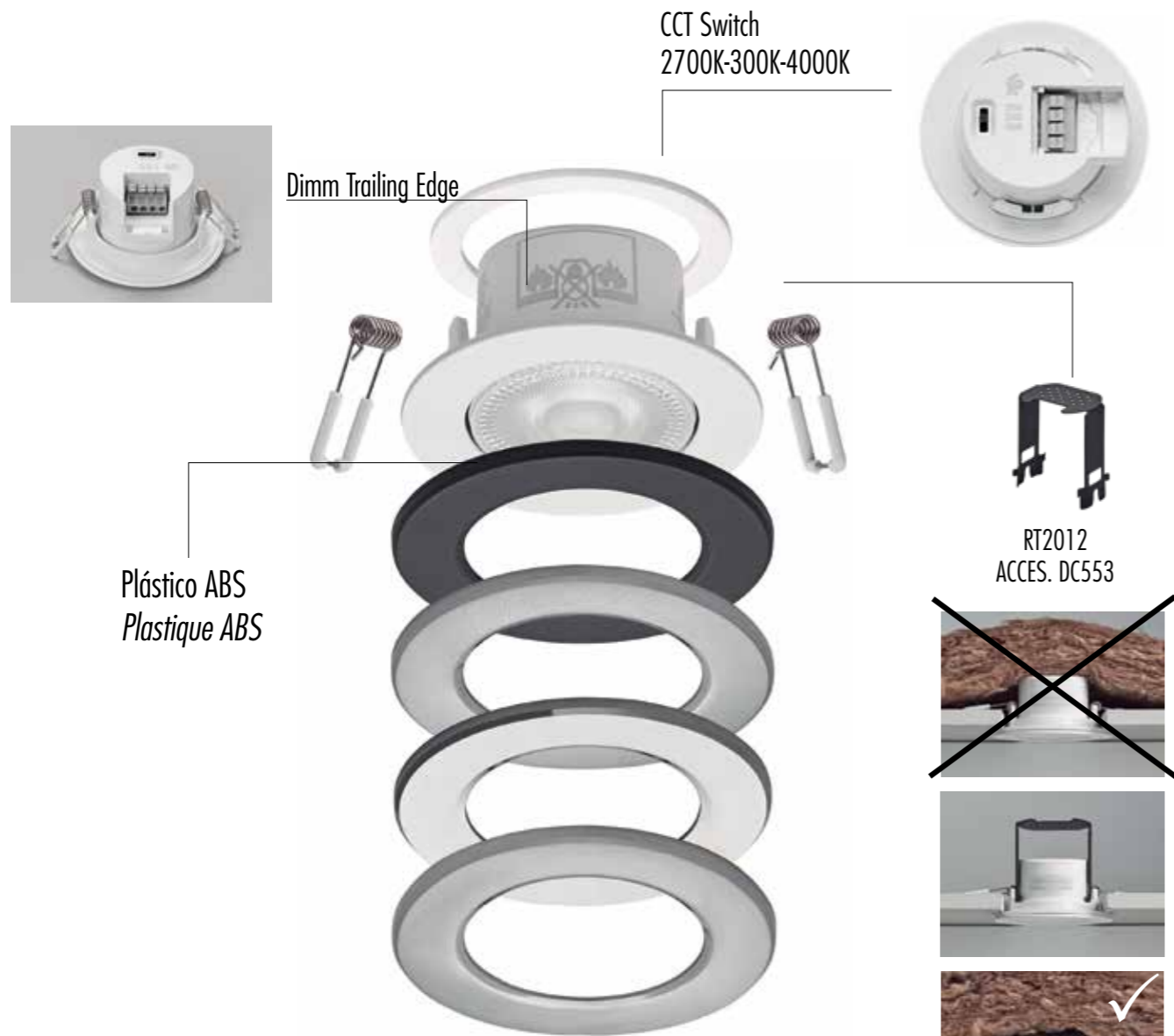


### Light Without Technology P.302



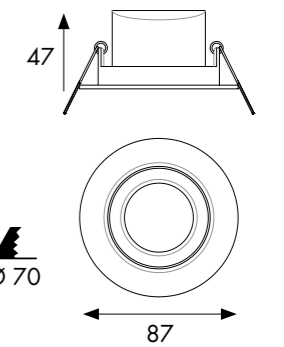
Available ● Black/Negro/Noir

More Technical products in our catalogue BASIC LED by JISO



## 55806

Downlight LED Basculante  
Downlight LED Swivel  
Downlight LED Basculant



### ▼ Accessories not included



Trim to cover hole

- DC55301
- DC55304
- DC55311
- DC55312
- DC55401
- DC55404
- DC55411
- DC55412
- DC55490

### Emergency Kit

1EH-3	TCL	1 h
1EH-4	TCL	3 h

## 55806 - 1980 - 90

1 - Model	2 - W	3 - Driver	4 - Brand Chip	5 - K	6 - Color
558	6	<ul style="list-style-type: none"> <li>▲ 19 - Trailing Edge AC220-240V PF &gt;0,7</li> <li>▲ SMART CONTROL See Page. 414</li> </ul>	8 - Bridgelux	<ul style="list-style-type: none"> <li>0 - CCT Switch</li> <li>■ 2700</li> <li>540 Lm System</li> <li>720 Lm Source</li> <li>■ 3000</li> <li>600 Lm System</li> <li>720 Lm Source</li> <li>■ 4000</li> <li>597 Lm System</li> <li>720 Lm Source</li> </ul>	<ul style="list-style-type: none"> <li>● 90 T. White / Blanco T. / Blanc T.</li> </ul>

LED CHIP: SMD 2835 - CRI>80 - L70 / 25.000H - 120 lm/W (4000K) - RG1

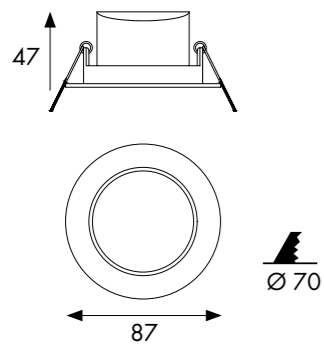


The above information is basic. For updated and more accurate information, please consult Technical Data Sheet on [www.jisoiluminacion.com](http://www.jisoiluminacion.com)  
 Consult general issues - [www.jisoiluminacion.com](http://www.jisoiluminacion.com) (Download - Technical Information)  
 Consult Instructions Emergency kit on [www.jisoiluminacion.com](http://www.jisoiluminacion.com)  
 Consult instructions to Driver configuration - page 470  
 Consult instructions to Driver dimmable Trailing Edge, 1-10V, DALI and Push - [www.jisoiluminacion.com](http://www.jisoiluminacion.com) (Download - Technical Information)  
 Consult instructions to Driver dimmable Smart Control - page 414



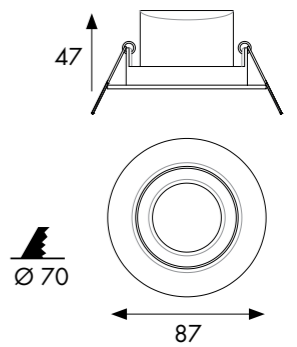
55307

Downlight LED estanco  
Downlight LED watertight  
Downlight LED étanche



55507\*

Downlight LED Basculante  
Downlight LED Swivel  
Downlight LED Basculant



Compatible lighting with installations that require UGR<19

553 07 - 19 8 0 - 90

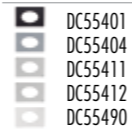
1 - Model	2 - W	3 - Driver	4 - Brand Chip	5 - K	6 - Color
553	7	<ul style="list-style-type: none"> <li>19 - Trailing Edge AC220-240V PF &gt;0,7</li> <li>SMART CONTROL See Page. 414</li> </ul>	8 - Bridgelux	<ul style="list-style-type: none"> <li>0 - CCT Switch</li> <li>2700</li> <li>522 Lm System 840 Lm Source</li> <li>3000</li> <li>574 Lm System 840 Lm Source</li> <li>4000</li> <li>543 Lm System 840 Lm Source</li> </ul>	90 T. White / Blanco T. / Blanc T.

▼ Accessories not included



DC553 - RT2012

Trim to cover hole



Emergency Kit

1EH-3	TCl	1 h
1EH-4	TCl	3 h

LED CHIP: SMD 2835 - CRI>80 - L70 / 25.000H - 120 lm/W (4000K) - RG1



The above information is basic. For updated and more accurate information, please consult Technical Data Sheet on [www.jisoiluminacion.com](http://www.jisoiluminacion.com)  
 Consult general issues - [www.jisoiluminacion.com](http://www.jisoiluminacion.com) (Download - Technical Information)  
 Consult Instructions Emergency kit on [www.jisoiluminacion.com](http://www.jisoiluminacion.com)  
 Consult instructions to Driver configuration - page 470  
 Consult instructions to Driver dimmable Trailing Edge, 1-10V, DALI and Push - [www.jisoiluminacion.com](http://www.jisoiluminacion.com) (Download - Technical Information)  
 Consult instructions to Driver dimmable Smart Control - page 414

555 07 - 19 8 4 - 90

1 - Model	2 - W	3 - Driver	4 - Brand Chip	5 - K	6 - Color
555	7	<ul style="list-style-type: none"> <li>19 - Trailing Edge AC220-240V PF &gt;0,85</li> <li>SMART CONTROL See Page. 414</li> </ul>	8 - Sanan	<ul style="list-style-type: none"> <li>3 - 3000 430 Lm System 798 Lm Source</li> <li>4 - 4000 453 Lm System 840 Lm Source</li> </ul>	90 T. White / Blanco T. / Blanc T.

▼ Accessories not included



Trim to cover hole



LED CHIP: SMD 2835 - CRI>80 - L70 / 15.000H - 120 lm/W (4000K) - RG1



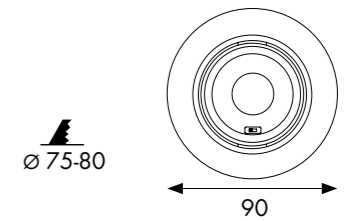
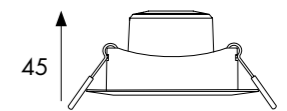
The above information is basic. For updated and more accurate information, please consult Technical Data Sheet on [www.jisoiluminacion.com](http://www.jisoiluminacion.com)  
 Consult general issues - [www.jisoiluminacion.com](http://www.jisoiluminacion.com) (Download - Technical Information)  
 Consult Instructions Emergency kit on [www.jisoiluminacion.com](http://www.jisoiluminacion.com)  
 Consult instructions to Driver configuration - page 470  
 Consult instructions to Driver dimmable Trailing Edge, 1-10V, DALI and Push - [www.jisoiluminacion.com](http://www.jisoiluminacion.com) (Download - Technical Information)  
 Consult instructions to Driver dimmable Smart Control - page 414

\* Available reference up to the end of stock.



## 57206

Empotrable Basculante UGR /Ambiente  
Recessed Swivel UGR /Ambience Spotlight  
Encastré Basculant UGR /d'Ambiance



## 572 06 - 19 9 0 - 90

1 2 3 4 5 6

1 - Model	2 - W	3 - Driver	4 - Brand Chip	5 - K	6 - Color
572	6	<ul style="list-style-type: none"> <li>▲ 19 - Trailing Edge AC220-240V PF &gt;0,9</li> <li>▲ SMART CONTROL See Page. 414</li> </ul>	9 - Everlight	<ul style="list-style-type: none"> <li>0 - CCT Switch</li> <li>■ 3000</li> <li>432 Lm System</li> <li>675 Lm Source</li> <li>■ 4000</li> <li>467 Lm System</li> <li>702 Lm Source</li> </ul>	<ul style="list-style-type: none"> <li>01 Black / Negro / Noir</li> <li>90 T. White / Blanco T. / Blanc T.</li> </ul>

▼ Accessories not included

Emergency Kit		
1EH-3	TCl	1 h
1EH-4	TCl	3 h

LED CHIP: SMD 2835 - CRI>80 - L70B10 / 25.000H - 130lm/W (4000K) - RG1



The above information is basic. For updated and more accurate information, please consult Technical Data Sheet on [www.jisoiluminacion.com](http://www.jisoiluminacion.com)

LED module information

Consult general issues - [www.jisoiluminacion.com](http://www.jisoiluminacion.com) (Download - Technical Information)

Consult Instructions Emergency kit on [www.jisoiluminacion.com](http://www.jisoiluminacion.com)

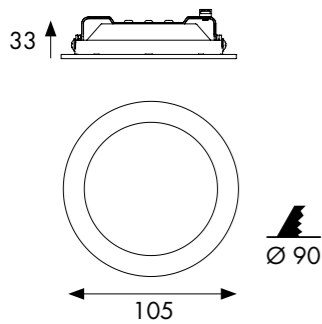
Consult instructions to Driver configuration - page 470

Consult instructions to Driver dimmable Trailing Edge, 1-10V, DALI and Push - [www.jisoiluminacion.com](http://www.jisoiluminacion.com) (Download - Technical Information)

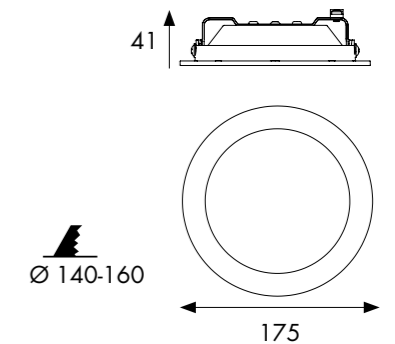
Consult instructions to Driver dimmable Smart Control - page 414



50207  
Downlight LED



50212  
Downlight LED



502 07 - 29 8 4 - 90

1 - Model	2 - W	3 - Driver	4 - Brand Chip	5 - K	6 - Color
502	7	29 - ON-OFF AC100-240V PF >0,5  23 - ON-OFF AC220-240V PF >0,9	8 - Epistar	3 - 3000 435 Lm System 840 Lm Source  4 - 4000 437 Lm System 840 Lm Source  6 - 6000 439 Lm System 910 Lm Source	01 Black / Negro / Noir  12 Brus. Nickel / Níquel Satinado / Nickel Satiné  90 T. White / Blanco T. / Blanc T.

▼ Accessories not included

Emergency Kit	
2DCLEDK1	1 h
2DCLEDK2	3 h
2DCLEDK5	3 h
2DCLEDK29	3 h

LED CHIP: SMD 2835 - CRI>80 - L70B10 / 30.000H - 120lm/W (4000K) - RGO



The above information is basic. For updated and more accurate information, please consult Technical Data Sheet on [www.jisoiluminacion.com](http://www.jisoiluminacion.com)  
Consult general issues - [www.jisoiluminacion.com](http://www.jisoiluminacion.com) (Download - Technical Information)  
Consult Instructions Emergency kit on [www.jisoiluminacion.com](http://www.jisoiluminacion.com)  
Consult instructions to Driver configuration - page 470

502 12 - 29 8 4 - 90

1 - Model	2 - W	3 - Driver	4 - Brand Chip	5 - K	6 - Color
502	12	29 - ON-OFF AC100-240V PF >0,5  23 - ON-OFF AC220-240V PF >0,95	8 - Epistar	3 - 3000 771 Lm System 1320 Lm Source  4 - 4000 823 Lm System 1440 Lm Source  6 - 6000 851 Lm System 1560 Lm Source	01 Black / Negro / Noir  12 Brus. Nickel / Níquel Satinado / Nickel Satiné  90 T. White / Blanco T. / Blanc T.

▼ Accessories not included

Emergency Kit	
2DCLEDK1	1 h
2DCLEDK2	3 h
2DCLEDK5	3 h
2DCLEDK29	3 h

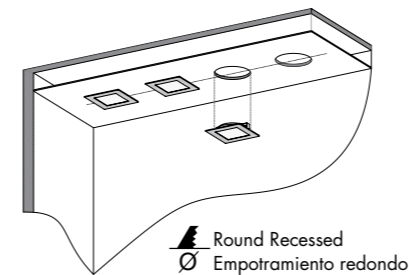
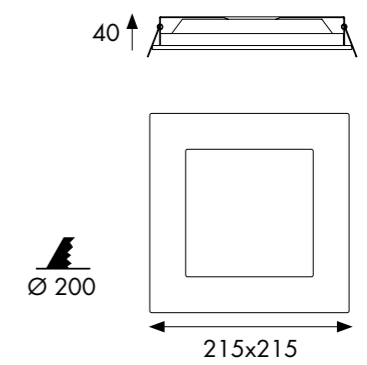
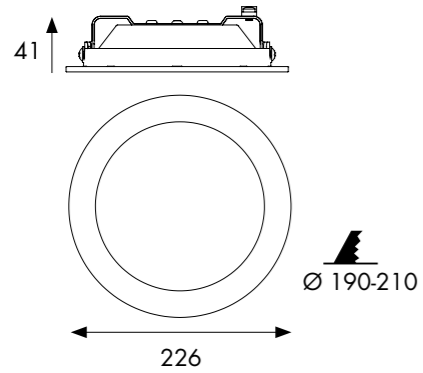
LED CHIP: SMD 2835 - CRI>80 - L70B10 / 30.000H - 120lm/W (4000K) - RGO



The above information is basic. For updated and more accurate information, please consult Technical Data Sheet on [www.jisoiluminacion.com](http://www.jisoiluminacion.com)  
Consult general issues - [www.jisoiluminacion.com](http://www.jisoiluminacion.com) (Download - Technical Information)  
Consult Instructions Emergency kit on [www.jisoiluminacion.com](http://www.jisoiluminacion.com)  
Consult instructions to Driver configuration - page 470

50220  
Downlight LED

50519  
Downlight LED



502 20 - 29 8 4 - 90  
1 2 3 4 5 6

1 - Model	2 - W	3 - Driver	4 - Brand Chip	5 - K	6 - Color
502	20	29 - ON-OFF AC100-240V PF >0,5	8 - Epistar	3 - 3000 1519 Lm System 2200 Lm Source 4 - 4000 1561 Lm System 2400 Lm Source 6 - 6000 1615 Lm System 2600 Lm Source	01 Black / Negro / Noir 12 Brus. Nickel / Níquel Satinado / Nickel Satiné 90 T. White / Blanco T. / Blanc T.

▼ Accessories not included

Emergency Kit		
2DCLEDK1	TCl	1 h
2DCLEDK2	TCl	3 h

LED CHIP: SMD 2835 - CRI>80 - L70B10 / 30.000H - 120lm/W (4000K) - RGO



The above information is basic. For updated and more accurate information, please consult Technical Data Sheet on [www.jisoiluminacion.com](http://www.jisoiluminacion.com)  
Consult general issues - [www.jisoiluminacion.com](http://www.jisoiluminacion.com) (Download - Technical Information)  
Consult Instructions Emergency kit on [www.jisoiluminacion.com](http://www.jisoiluminacion.com)  
Consult instructions to Driver configuration - page 470

505 19 - 29 6 4 - 90  
1 2 3 4 5 6

1 - Model	2 - W	3 - Driver	4 - Brand Chip	5 - K	6 - Color
505	20	29 - ON-OFF AC100-240V PF >0,9 47 - DALI/PUSH/1-10V AC200-240V PF >0,95	6 - Epistar	4 - 4000 1600 Lm System 2400 Lm Source	12 Brus. Nickel / Níquel Satinado / Nickel Satiné 90 T. White / Blanco T. / Blanc T.

▼ Accessories not included

Waterproof silicone	
G01-200213 - RT2012	
Emergency Kit	
2DCLEDK1	1 h
2DCLEDK2	3 h
2DCLEDK5	3 h
2DCLEDK29	3 h

LED CHIP: SMD 2835 - CRI>80 - L70B10 / 30.000H - 120lm/W (4000K) - RGO

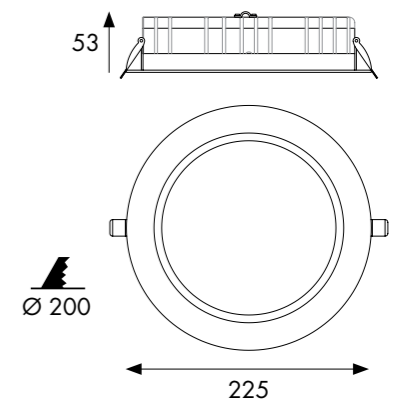


The above information is basic. For updated and more accurate information, please consult Technical Data Sheet on [www.jisoiluminacion.com](http://www.jisoiluminacion.com)  
Consult general issues - [www.jisoiluminacion.com](http://www.jisoiluminacion.com) (Download - Technical Information)  
Consult Instructions Emergency kit on [www.jisoiluminacion.com](http://www.jisoiluminacion.com)  
Consult instructions to Driver configuration - page 470  
Consult instructions to Driver dimmable Trailing Edge, 1-10V, DALI and Push - [www.jisoiluminacion.com](http://www.jisoiluminacion.com) (Download - Technical Information)



## 53030

Downlight LED



### 530 30 - 29 5 4 - 90

1 - Model	2 - W	3 - Driver	4 - Brand Chip	5 - K	6 - Color	▼ Accessories not included
530	30	<ul style="list-style-type: none"> <li>29 - ON-OFF AC100-240V PF &gt;0,9</li> <li>23 - ON-OFF AC220-240V PF &gt;0,95</li> <li>47 - DALI/PUSH/1-10V AC200-240V PF &gt;0,95</li> <li>51 - Trailing Edge AC220-240V PF &gt;0,9</li> <li>SMART CONTROL See Page. 414</li> </ul>	5 - Edison	<ul style="list-style-type: none"> <li>3 - 3000 2611 Lm System 3562 Lm Source</li> <li>4 - 4000 2741 Lm System 3640 Lm Source</li> </ul>	<ul style="list-style-type: none"> <li>01 * Black / Negro / Noir</li> <li>90 T. White / Blanco T. / Blanc T.</li> </ul>	<ul style="list-style-type: none"> <li>Waterproof silicone</li> <li>G01-200213 - RT2012</li> <li>Trim to cover hole</li> <li>DC51040 - 200-230</li> <li>Emergency Kit</li> <li>2DCLEDK1 1 h</li> <li>2DCLEDK2 3 h</li> <li>2DCLEDK5 3 h</li> <li>2DCLEDK29 3 h</li> </ul>

LED CHIP: COB - CRI>80 - L70B10 / 50.000H - 120lm/W (4000K) - RG0



The above information is basic. For updated and more accurate information, please consult Technical Data Sheet on [www.jisoiluminacion.com](http://www.jisoiluminacion.com)

Consult general issues - [www.jisoiluminacion.com](http://www.jisoiluminacion.com) (Download - Technical Information)

Consult Instructions Emergency kit on [www.jisoiluminacion.com](http://www.jisoiluminacion.com)

Consult instructions to Driver configuration - page 470

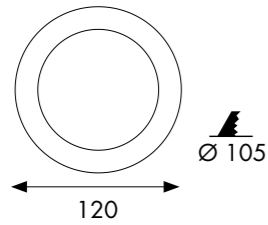
Consult instructions to Driver dimmable Trailing Edge, 1-10V, DALI and Push - [www.jisoiluminacion.com](http://www.jisoiluminacion.com) (Download - Technical Information)

Consult instructions to Driver dimmable Smart Control - page 414

\* Available reference up to the end of stock.



50308  
Downlight LED



503 08 - 29 8 4 - 90  
1 2 3 4 5 6

1 - Model	2 - W	3 - Driver	4 - Brand Chip	5 - K	6 - Color
503	8	<ul style="list-style-type: none"> <li>29 - ON-OFF AC100-240V PF &gt;0,5</li> <li>21 - ON-OFF AC220-240V PF &gt;0,9</li> <li>47 - DALI/PUSH/1-10V AC200-240V PF &gt;0,9</li> <li>51 - Trailing Edge AC220-240V PF &gt;0,9</li> <li>SMART CONTROL See Page. 414</li> </ul>	8 - Edison	<ul style="list-style-type: none"> <li>3 - 3000 455 Lm System 960 Lm Source</li> <li>4 - 4000 476 Lm System 960 Lm Source</li> <li>6 - 6000 498 Lm System 960 Lm Source</li> </ul>	90 T. White / Blanco T. / Blanc T.

▼ Accessories not included

Trim to cover hole

○ DC50308 - 105-140

Emergency Kit

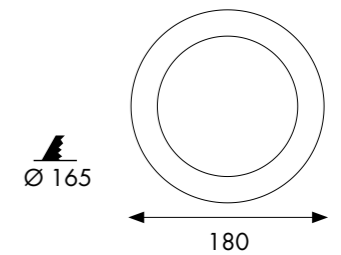
2DCLEDK1	1 h
2DCLEDK2	3 h
2DCLEDK5	3 h
2DCLEDK29	3 h

LED CHIP: SMD 2835 - CRI>80 - L70B10 / 50.000H - 120lm/W (4000K) - RGO



The above information is basic. For updated and more accurate information, please consult Technical Data Sheet on [www.jisoiluminacion.com](http://www.jisoiluminacion.com)  
Consult general issues - [www.jisoiluminacion.com](http://www.jisoiluminacion.com) (Download - Technical Information)  
Consult Instructions Emergency kit on [www.jisoiluminacion.com](http://www.jisoiluminacion.com)  
Consult instructions to Driver configuration - page 470  
Consult instructions to Driver dimmable Trailing Edge, 1-10V, DALI and Push - [www.jisoiluminacion.com](http://www.jisoiluminacion.com) (Download - Technical Information)  
Consult instructions to Driver dimmable Smart Control - page 414

50315  
Downlight LED



503 15 - 29 8 4 - 90  
1 2 3 4 5 6

1 - Model	2 - W	3 - Driver	4 - Brand Chip	5 - K	6 - Color
503	15	<ul style="list-style-type: none"> <li>29 - ON-OFF AC100-240V PF &gt;0,5</li> <li>21 - ON-OFF AC220-240V PF &gt;0,9</li> <li>47 - DALI/PUSH/1-10V AC200-240V PF &gt;0,95</li> <li>51 - Trailing Edge AC220-240V PF &gt;0,9</li> <li>SMART CONTROL See Page. 414</li> </ul>	8 - Edison	<ul style="list-style-type: none"> <li>3 - 3000 937 Lm System 1800 Lm Source</li> <li>4 - 4000 969 Lm System 1800 Lm Source</li> <li>6 - 6000 1017 Lm System 1800 Lm Source</li> </ul>	90 T. White / Blanco T. / Blanc T.

▼ Accessories not included

Trim to cover hole

○ DC50315 - 172-203

Emergency Kit

2DCLEDK1	1 h
2DCLEDK2	3 h
2DCLEDK5	3 h
2DCLEDK29	3 h

LED CHIP: SMD 2835 - CRI>80 - L70B10 / 50.000H - 120lm/W (4000K) - RGO

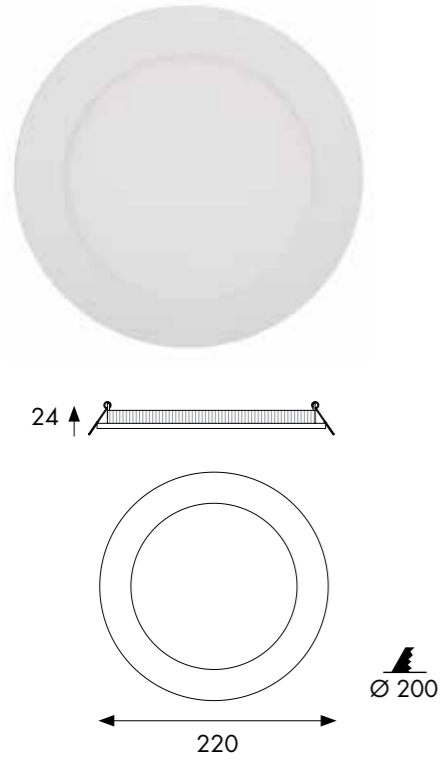


The above information is basic. For updated and more accurate information, please consult Technical Data Sheet on [www.jisoiluminacion.com](http://www.jisoiluminacion.com)  
Consult general issues - [www.jisoiluminacion.com](http://www.jisoiluminacion.com) (Download - Technical Information)  
Consult Instructions Emergency kit on [www.jisoiluminacion.com](http://www.jisoiluminacion.com)  
Consult instructions to Driver configuration - page 470  
Consult instructions to Driver dimmable Trailing Edge, 1-10V, DALI and Push - [www.jisoiluminacion.com](http://www.jisoiluminacion.com) (Download - Technical Information)  
Consult instructions to Driver dimmable Smart Control - page 414



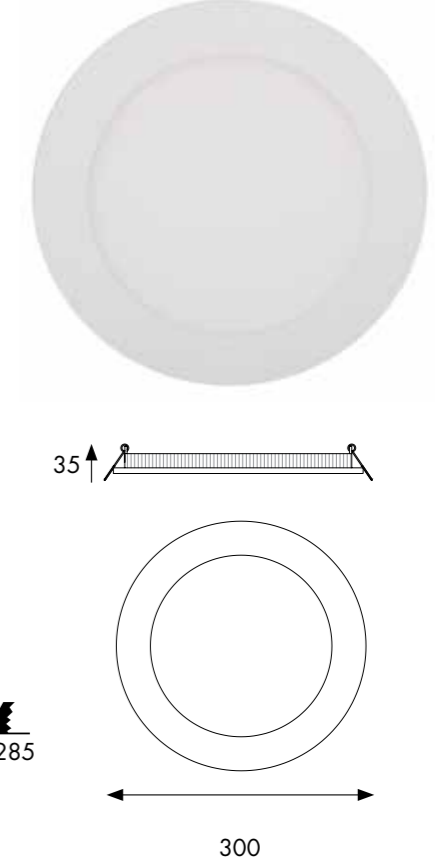
50322

Downlight LED



50330

Downlight LED



503 22 - 29 8 4 - 90

1 - Model	2 - W	3 - Driver	4 - Brand Chip	5 - K	6 - Color
503	22	<ul style="list-style-type: none"> <li>29 - ON-OFF AC100-240V PF &gt;0,9</li> <li>21 - ON-OFF AC220-240V PF &gt;0,95</li> <li>47 - DALI/PUSH/1-10V AC200-240V PF &gt;0,95</li> <li>51 - Trailing Edge (20W) AC220-240V PF &gt;0,9</li> <li>SMART CONTROL See Page. 414</li> </ul>	8 - Edison	<ul style="list-style-type: none"> <li>3 - 3000 1692 Lm System 2640 Lm Source</li> <li>4 - 4000 1773 Lm System 2640 Lm Source</li> <li>6 - 6000 1815 Lm System 2860 Lm Source</li> </ul>	<ul style="list-style-type: none"> <li>04* Aluminium / Aluminio / Aluminium</li> <li>90 T. White / Blanco T. / Blanc T.</li> </ul>

▼ Accessories not included

Waterproof silicone	G01-200213 - RT2012
Trim to cover hole	DC50322 - 200-240
Emergency Kit	<ul style="list-style-type: none"> <li>2DCLEDK1 1 h</li> <li>2DCLEDK2 3 h</li> <li>2DCLEDK5 3 h</li> <li>2DCLEDK29 3 h</li> </ul>

LED CHIP: SMD 2835 - CRI>80 - L70B10 / 50.000H - 120lm/W (4000K) - RGO



The above information is basic. For updated and more accurate information, please consult Technical Data Sheet on [www.jisoiluminacion.com](http://www.jisoiluminacion.com)  
 Consult general issues - [www.jisoiluminacion.com](http://www.jisoiluminacion.com) (Download - Technical Information)  
 Consult Instructions Emergency kit on [www.jisoiluminacion.com](http://www.jisoiluminacion.com)  
 Consult instructions to Driver configuration - page 470  
 Consult instructions to Driver dimmable Trailing Edge, 1-10V, DALI and Push - [www.jisoiluminacion.com](http://www.jisoiluminacion.com) (Download - Technical Information)  
 Consult instructions to Driver dimmable Smart Control - page 414

503 30 - 29 8 4 - 90

1 - Model	2 - W	3 - Driver	4 - Brand Chip	5 - K	6 - Color
503	30	<ul style="list-style-type: none"> <li>29 - ON-OFF AC100-240V PF &gt;0,9</li> <li>21 - ON-OFF AC220-240V PF &gt;0,95</li> <li>47 - DALI/PUSH/1-10V AC200-240V PF &gt;0,95</li> <li>51 - Trailing Edge AC220-240V PF &gt;0,9</li> <li>SMART CONTROL See Page. 414</li> </ul>	8 - Edison	<ul style="list-style-type: none"> <li>4 - 4000 2156 Lm System 3600 Lm Source</li> </ul>	<ul style="list-style-type: none"> <li>90 T. White / Blanco T. / Blanc T.</li> </ul>

▼ Accessories not included

Emergency Kit	
2DCLEDK1	1 h
2DCLEDK2	3 h
2DCLEDK5	3 h
2DCLEDK29	3 h

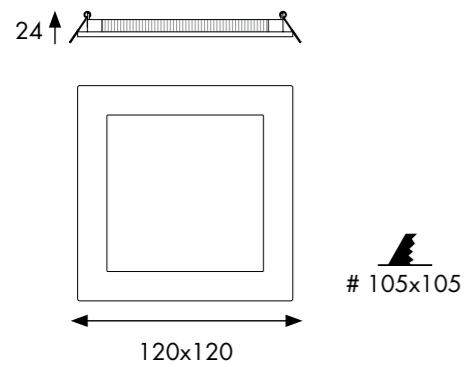
LED CHIP: SMD 2835 - CRI>80 - L70B10 / 50.000H - 120lm/W (4000K) - RGO



The above information is basic. For updated and more accurate information, please consult Technical Data Sheet on [www.jisoiluminacion.com](http://www.jisoiluminacion.com)  
 Consult general issues - [www.jisoiluminacion.com](http://www.jisoiluminacion.com) (Download - Technical Information)  
 Consult Instructions Emergency kit on [www.jisoiluminacion.com](http://www.jisoiluminacion.com)  
 Consult instructions to Driver configuration - page 470  
 Consult instructions to Driver dimmable Trailing Edge, 1-10V, DALI and Push - [www.jisoiluminacion.com](http://www.jisoiluminacion.com) (Download - Technical Information)  
 Consult instructions to Driver dimmable Smart Control - page 414



50408  
Downlight LED



504 08 - 29 8 4 - 90

1 - Model	2 - W	3 - Driver	4 - Brand Chip	5 - K	6 - Color
504	8	<ul style="list-style-type: none"> <li>29 - ON-OFF AC100-240V PF &gt;0,5</li> <li>21 - ON-OFF AC220-240V PF &gt;0,9</li> <li>47 - DALI/PUSH/1-10V AC200-240V PF &gt;0,9</li> <li>51 - Trailing Edge AC220-240V PF &gt;0,9</li> <li>SMART CONTROL See Page. 414</li> </ul>	8 - Edison	<ul style="list-style-type: none"> <li>3 - 3000 415 Lm System 960 Lm Source</li> <li>4 - 4000 434 Lm System 960 Lm Source</li> </ul>	90 T. White / Blanco T. / Blanc T.

▼ Accessories not included

Emergency Kit	
2DCLEDK1	1 h
2DCLEDK2	3 h
2DCLEDK5	3 h
2DCLEDK29	3 h

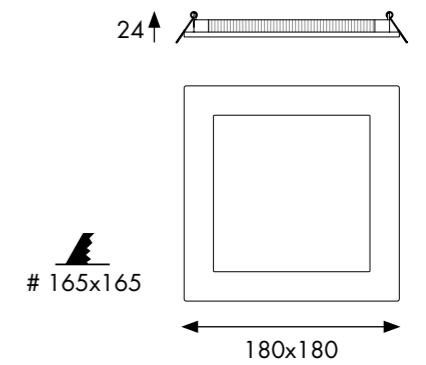
LED CHIP: SMD 2835 - CRI>80 - L70B10 / 50.000H - 120lm/W (4000K) - RGO



The above information is basic. For updated and more accurate information, please consult Technical Data Sheet on [www.jisoiluminacion.com](http://www.jisoiluminacion.com)  
 Consult general issues - [www.jisoiluminacion.com](http://www.jisoiluminacion.com) (Download - Technical Information)  
 Consult Instructions Emergency kit on [www.jisoiluminacion.com](http://www.jisoiluminacion.com)  
 Consult instructions to Driver configuration - page 470  
 Consult instructions to Driver dimmable Trailing Edge, 1-10V, DALI and Push - [www.jisoiluminacion.com](http://www.jisoiluminacion.com) (Download - Technical Information)  
 Consult instructions to Driver dimmable Smart Control - page 414



50415  
Downlight LED



504 15 - 29 8 4 - 90

1 - Model	2 - W	3 - Driver	4 - Brand Chip	5 - K	6 - Color
504	15	<ul style="list-style-type: none"> <li>29 - ON-OFF AC100-240V PF &gt;0,5</li> <li>21 - ON-OFF AC220-240V PF &gt;0,9</li> <li>47 - DALI/PUSH/1-10V AC200-240V PF &gt;0,95</li> <li>51 - Trailing Edge AC220-240V PF &gt;0,9</li> <li>SMART CONTROL See Page. 414</li> </ul>	8 - Edison	<ul style="list-style-type: none"> <li>3 - 3000 887 Lm System 1800 Lm Source</li> <li>4 - 4000 949 Lm System 1800 Lm Source</li> </ul>	<ul style="list-style-type: none"> <li>04* Aluminium / Aluminio / Aluminium</li> <li>90 T. White / Blanco T. / Blanc T.</li> </ul>

▼ Accessories not included

Emergency Kit	
2DCLEDK1	1 h
2DCLEDK2	3 h
2DCLEDK5	3 h
2DCLEDK29	3 h

LED CHIP: SMD 2835 - CRI>80 - L70B10 / 50.000H - 120lm/W (4000K) - RGO

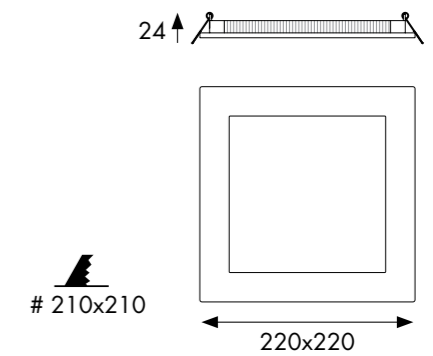


The above information is basic. For updated and more accurate information, please consult Technical Data Sheet on [www.jisoiluminacion.com](http://www.jisoiluminacion.com)  
 Consult general issues - [www.jisoiluminacion.com](http://www.jisoiluminacion.com) (Download - Technical Information)  
 Consult Instructions Emergency kit on [www.jisoiluminacion.com](http://www.jisoiluminacion.com)  
 Consult instructions to Driver configuration - page 470  
 Consult instructions to Driver dimmable Trailing Edge, 1-10V, DALI and Push - [www.jisoiluminacion.com](http://www.jisoiluminacion.com) (Download - Technical Information)  
 Consult instructions to Driver dimmable Smart Control - page 414



## 50422

Downlight LED



### 504 22 - 29 8 4 - 90

1 - Model	2 - W	3 - Driver	4 - Brand Chip	5 - K	6 - Color
504	22	<ul style="list-style-type: none"> <li>⏻ 29 - ON-OFF AC220-240V PF &gt;0,9</li> <li>⏻ 21 - ON-OFF AC220-240V PF &gt;0,95</li> <li>⚡ 47 - DALI/PUSH/1-10V AC200-240V PF &gt;0,95</li> <li>⚡ 51 - Trailing Edge AC220-240V PF &gt;0,9</li> <li>⚡ SMART CONTROL See Page. 414</li> </ul>	8 - Edison	<ul style="list-style-type: none"> <li>3 - ■ 3000 1518 Lm System 2640 Lm Source</li> <li>4 - ■ 4000 1597 Lm System 2640 Lm Source</li> <li>6 - ■ 6000 1692 Lm System 2860 Lm Source</li> </ul>	<ul style="list-style-type: none"> <li>04* Aluminium / Aluminio / Aluminium</li> <li>90 T. White / Blanco T. / Blanc T.</li> </ul>

▼ Accessories not included

Trim to cover hole  
□ DC50422 - ▲ 200-240

Emergency Kit	
2DCLEDK1	1 h
2DCLEDK2	3 h
2DCLEDK5	3 h
2DCLEDK29	3 h

LED CHIP: SMD 2835 - CRI>80 - L70B10 / 50.000H - 120lm/W (4000K) - RGO



The above information is basic. For updated and more accurate information, please consult Technical Data Sheet on [www.jisoiluminacion.com](http://www.jisoiluminacion.com)  
 Consult general issues - [www.jisoiluminacion.com](http://www.jisoiluminacion.com) (Download - Technical Information)  
 Consult Instructions Emergency kit on [www.jisoiluminacion.com](http://www.jisoiluminacion.com)  
 Consult instructions to Driver configuration - page 470  
 Consult instructions to Driver dimmable Trailing Edge, 1-10V, DALI and Push - [www.jisoiluminacion.com](http://www.jisoiluminacion.com) (Download - Technical Information)  
 Consult instructions to Driver dimmable Smart Control - page 414



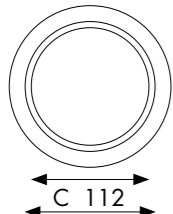
4 | 2

### DC503

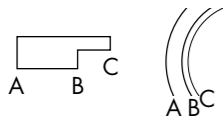
Aro embellecedor redondo  
Round trim ring  
Cadre enjoliveur rond

DC50308

Ø 105-140

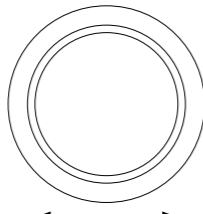


C 112  
B 121  
A 149,5



DC50315

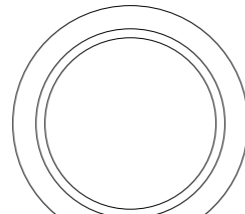
Ø 172-203



C 172,5  
B 180,5  
A 210,5

DC50322

Ø 200-240



C 210  
B 220  
A 250



### DC50308 - 90

1 2

1 - Ref.	2 - Color	Accessories for below references
DC50308	90 T. White /Blanco T. / Blanc T.	50308
DC50315		50315
DC50322		50322, 50625



The above information is basic. For updated and more accurate information, please consult Technical Data Sheet on [www.jisoiluminacion.com](http://www.jisoiluminacion.com)

### DC50422

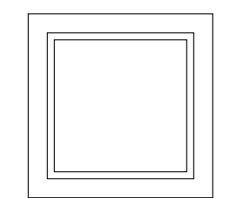
Aro embellecedor cuadrado  
Square trim ring  
Cadre enjoliveur carré



4 | 2

DC50422

# 200x200-240x240



C 210x210  
B 220x200  
A 250x250

### DC50422 - 90

1 2

1 - Ref.	2 - Color	Accessories for below references
DC50422	90 T. White /Blanco T. / Blanc T.	50422



### G01-200213

Junta de silicona estanca para cumplimiento del Reglamento RT2012  
Waterproof silicone gasket for compliance of Regulation RT2012  
Joint d'étanchéité en silicone conforme à la Réglementation RT2012

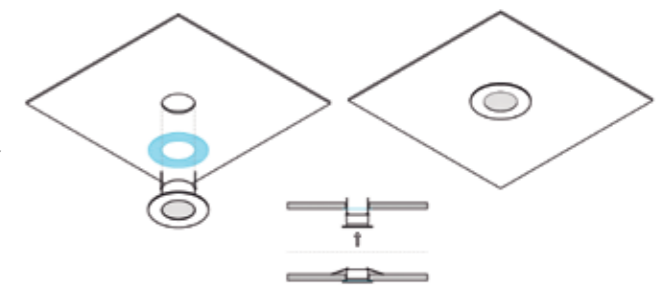
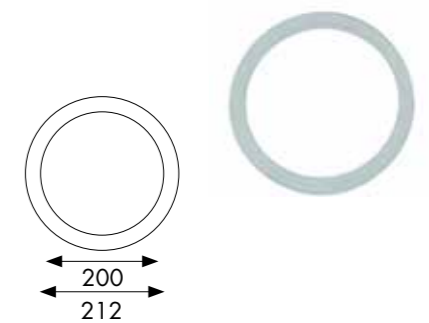
La réglementation thermique a pour but fixer une limite à la consommation énergétique des bâtiments neufs mais également des anciennes constructions. Cette norme définit un nombre de kWh/m<sup>2</sup>/année pondéré par un coefficient géographique. (50kWh/m<sup>2</sup>/an pour une construction récente et 80 kWh/m<sup>2</sup>/an pour une ancienne). Le label BBC (bâtiment basse consommation) n'est jamais attribué à un luminaire mais bien à un bâtiment.

La RT2012, impose des exigences au niveau efficacité énergétique, consommation maximale et COMFORT d'été, ceci implique des mises en œuvre comme le traitement des ponts thermiques, la perméabilité à l'air, la production d'énergies renouvelables, et la mesure des consommations énergétiques.

C'est donc une somme de toutes ces mises en œuvre qui contribue à obtenir ce label.

Dans le cas d'un luminaire encastré, une protection, un boîtier peut être placé dans les faux-plafonds pour éviter le contact avec l'isolant, un joint d'étanchéité doit être présent entre la collerette et le plafond afin de réduire les déperditions.

Pour faciliter les choix et la lecture rapide, un nouveau pictogramme identifie tous les luminaires qui contribueront à l'obtention de ce label.

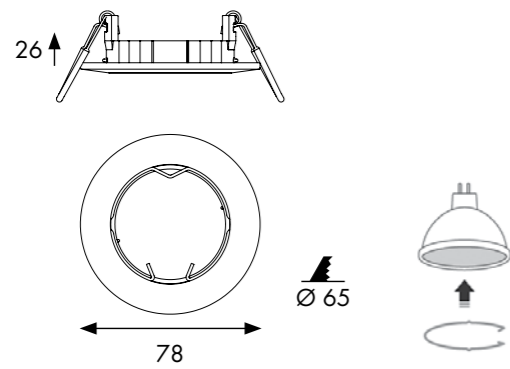


Accessories for Ref. 50322, 50519, 50625, 53030, 55122



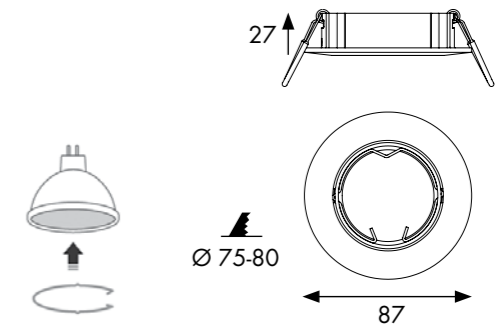
### 631D

Empotrable Fijo  
Recessed Fixed Spotlight  
Encastré Fixe



### 634D

Empotrable Basculante  
Recessed Swivel Spotlight  
Encastré Basculant



### 631D - 90

1 - Model	2 - Color
631D	<ul style="list-style-type: none"> <li>00 White / Blanco / Blanc</li> <li>01 Black / Negro / Noir</li> <li>11 Chrome / Cromo / Chrome</li> <li>12 Brus. Nickel / Niquel Satinado / Nickel Satiné</li> <li>16 Matt Chrome / Cromo Mate / Chrome Mat</li> <li>90 Tec. White / Blanco Téc. / Blanc Tech.</li> </ul>

▼ Optional

LED Module COB (page 388-389)	LED Module SMD (page 387)	Lampholder (page 390)
<ul style="list-style-type: none"> <li>HLX08-2152 2700K 828Lm</li> <li>HLX08-2153 3000K 849Lm</li> <li>HLX08-2154 4000K 891Lm</li> </ul>	<ul style="list-style-type: none"> <li>HLP06-1990 CCT Switch</li> <li>3000K 432Lm</li> <li>4000K 467Lm</li> </ul>	<ul style="list-style-type: none"> <li>1PHG GU-10 100-240V</li> <li>1PHB GU-10/GZ-10 100-240V</li> <li>1DH1 Fast Safety connector</li> <li>1DH3 GU-10 Safety distancing</li> </ul>
<ul style="list-style-type: none"> <li>HLX12-2152 2700K 1207Lm</li> <li>HLX12-2153 3000K 1238Lm</li> <li>HLX12-2154 4000K 1300Lm</li> </ul>	<p><b>Bulb LED GU-10 (page 386)</b></p> <ul style="list-style-type: none"> <li>1LHG-300 CCT Switch</li> <li>3000K 452Lm</li> <li>4000K 478Lm</li> </ul>	
<ul style="list-style-type: none"> <li>HLHLX-01 Honeycomb Acc.</li> </ul>		



The above information is basic. For updated and more accurate information, please consult Technical Data Sheet on [www.jisoiluminacion.com](http://www.jisoiluminacion.com)

### 634D - 90

1 - Model	2 - Color
634D	<ul style="list-style-type: none"> <li>00 White / Blanco / Blanc</li> <li>01 Black / Negro / Noir</li> <li>11 Chrome / Cromo / Chrome</li> <li>12 Brus. Nickel / Niquel Satinado / Nickel Satiné</li> <li>13 Brushed Antique / Cuero Satinado / Cuir Satiné</li> <li>16 Matt Chrome / Cromo Mate / Chrome Mat</li> <li>90 Tec. White / Blanco Téc. / Blanc Tech.</li> </ul>

▼ Optional

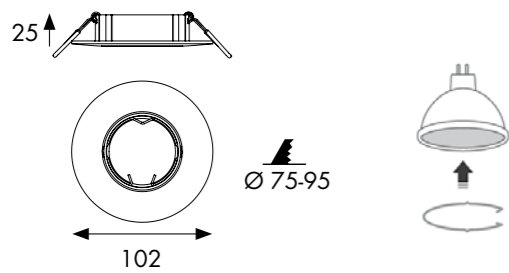
LED Module COB (page 388-389)	LED Module SMD (page 387)	Lampholder (page 390)
<ul style="list-style-type: none"> <li>HLX08-2152 2700K 828Lm</li> <li>HLX08-2153 3000K 849Lm</li> <li>HLX08-2154 4000K 891Lm</li> </ul>	<ul style="list-style-type: none"> <li>HLP06-1990 CCT Switch</li> <li>3000K 432Lm</li> <li>4000K 467Lm</li> </ul>	<ul style="list-style-type: none"> <li>1PHG GU-10 100-240V</li> <li>1PHB GU-10/GZ-10 100-240V</li> <li>1DH1 Fast Safety connector</li> <li>1DH3 GU-10 Safety distancing</li> </ul>
<ul style="list-style-type: none"> <li>HLX12-2152 2700K 1207Lm</li> <li>HLX12-2153 3000K 1238Lm</li> <li>HLX12-2154 4000K 1300Lm</li> </ul>	<p><b>Bulb LED GU-10 (page 386)</b></p> <ul style="list-style-type: none"> <li>1LHG-300 CCT Switch</li> <li>3000K 452Lm</li> <li>4000K 478Lm</li> </ul>	
<ul style="list-style-type: none"> <li>HLHLX-01 Honeycomb Acc.</li> </ul>		



The above information is basic. For updated and more accurate information, please consult Technical Data Sheet on [www.jisoiluminacion.com](http://www.jisoiluminacion.com)

## 639D

Empotrable Basculante  
Recessed Swivel Spotlight  
Encastré Basculant



### 639D - 90

1 - Model	2 - Color
639D	<ul style="list-style-type: none"> <li>00 White / Blanco / Blanc</li> <li>01 Black / Negro / Noir</li> <li>10 Gold / Oro / Or</li> <li>11 Chrome / Cromo / Chrome</li> <li>12 Brus. Nickel / Niquel Satinado / Nickel Satiné</li> <li>13 Brushed Antique / Cuero Satinado / Cuir Satiné</li> <li>16 Matt Chrome / Cromo Mate / Chrome Mat</li> <li>69 Wengue / Wengué / Wengue</li> <li>90 Tec. White / Blanco Téc. / Blanc Tech.</li> <li>92 Silver Leaf / Pan de Plata / Feuille d'Argent</li> <li>93 Gold Leaf / Pan de Oro / Feuille d'Or</li> </ul>

▼ Optional

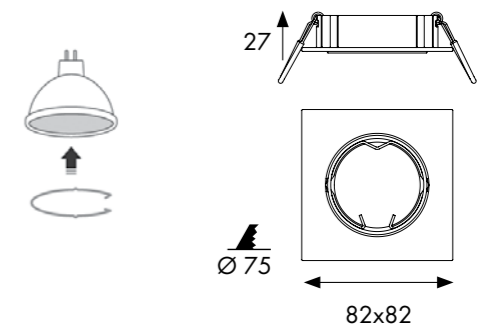
LED Module COB (page 388-389)	LED Module SMD (page 387)	Lampholder (page 390)
<ul style="list-style-type: none"> <li>HLX08-2152 2700K 828Lm</li> <li>HLX08-2153 3000K 849Lm</li> <li>HLX08-2154 4000K 891Lm</li> </ul>	<ul style="list-style-type: none"> <li>HLP06-1990 CCT Switch</li> <li>3000K 432Lm</li> <li>4000K 467Lm</li> </ul>	<ul style="list-style-type: none"> <li>1PHG GU-10 100-240V</li> <li>1PHB GU-10/GZ-10 100-240V</li> <li>1DH1 Fast Safety connector</li> <li>1DH3 GU-10 Safety distancing</li> </ul>
<ul style="list-style-type: none"> <li>HLX12-2152 2700K 1207Lm</li> <li>HLX12-2153 3000K 1238Lm</li> <li>HLX12-2154 4000K 1300Lm</li> </ul>	<p><b>Bulb LED GU-10 (page 386)</b></p> <ul style="list-style-type: none"> <li>1LHG-300 CCT Switch</li> <li>3000K 452Lm</li> <li>4000K 478Lm</li> </ul>	
<ul style="list-style-type: none"> <li>HLHLX-01 Honeycomb Acc.</li> </ul>		



The above information is basic. For updated and more accurate information, please consult Technical Data Sheet on [www.jisoiluminacion.com](http://www.jisoiluminacion.com)

## 604D

Empotrable Basculante  
Recessed Swivel Spotlight  
Encastré Basculant



### 604D - 90

1 - Model	2 - Color
604D	<ul style="list-style-type: none"> <li>00 White / Blanco / Blanc</li> <li>11 Chrome / Cromo / Chrome</li> <li>12 Brus. Nickel / Niquel Satinado / Nickel Satiné</li> <li>13 Brushed Antique / Cuero Satinado / Cuir Satiné</li> <li>16 Matt Chrome / Cromo Mate / Chrome Mat</li> <li>90 Tec. White / Blanco Téc. / Blanc Tech.</li> </ul>

▼ Optional

LED Module COB (page 388-389)	LED Module SMD (page 387)	Lampholder (page 390)
<ul style="list-style-type: none"> <li>HLX08-2152 2700K 828Lm</li> <li>HLX08-2153 3000K 849Lm</li> <li>HLX08-2154 4000K 891Lm</li> </ul>	<ul style="list-style-type: none"> <li>HLP06-1990 CCT Switch</li> <li>3000K 432Lm</li> <li>4000K 467Lm</li> </ul>	<ul style="list-style-type: none"> <li>1PHG GU-10 100-240V</li> <li>1PHB GU-10/GZ-10 100-240V</li> <li>1DH1 Fast Safety connector</li> <li>1DH3 GU-10 Safety distancing</li> </ul>
<ul style="list-style-type: none"> <li>HLX12-2152 2700K 1207Lm</li> <li>HLX12-2153 3000K 1238Lm</li> <li>HLX12-2154 4000K 1300Lm</li> </ul>	<p><b>Bulb LED GU-10 (page 386)</b></p> <ul style="list-style-type: none"> <li>1LHG-300 CCT Switch</li> <li>3000K 452Lm</li> <li>4000K 478Lm</li> </ul>	
<ul style="list-style-type: none"> <li>HLHLX-01 Honeycomb Acc.</li> </ul>		



The above information is basic. For updated and more accurate information, please consult Technical Data Sheet on [www.jisoiluminacion.com](http://www.jisoiluminacion.com)

