

**PRO**  
PROFESSIONAL  
LED

"The best is yet to Light"



**Panel**

**JISO**  
ILUMINACION  
SPAIN



## Panel



36540 P.341



39837 P.343



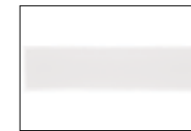
32940 P.345



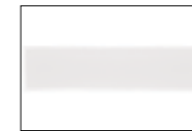
32428 P.347



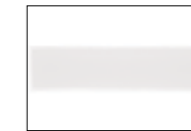
32440 P.349



39137 P.351



32740 P.353



32128 P.355



32140 P.357



32980 P.359

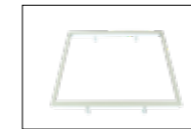


32256 P.361

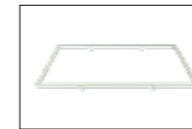


32280 P.363

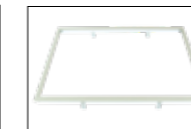
### Accessories | Recessed P.364



DC30040-3 P.365



DC30140-3 P.365



DC30180-3 P.365

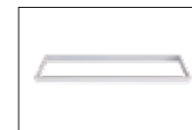


DC31036-2 P.367

### Accessories | Surface P.368



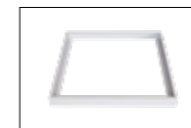
DC32440-4 P.369



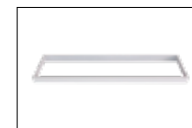
DC32140-4 P.369



DC32280-4 P.369



DC6060-4 P.369



DC12030-4 P.369



DC12060-4 P.369

### Accessories | Pendant P.370



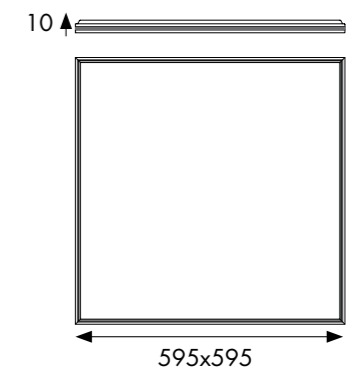
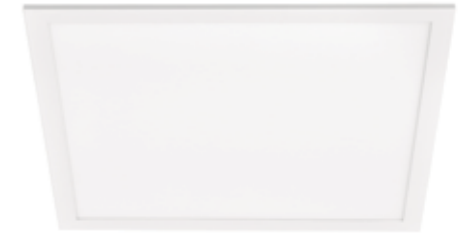
DC31640-0 P.370



DC31036-1 P.371

36540

Panel LED IP65  
Panel LED IP65  
Panneau LED IP65



365 40 - 29 8 4 - 90  
1 2 3 4 5 6

1 - Model	2 - W	3 - Driver	4 - Brand Chip	5 - K	6 - Color
365	40	29 - ON-OFF AC220-240V PF >0,9	8 - Sanan	4 - 4000 4516 Lm System 4800 Lm Source	90 T. White / Blanco T. / Blanc T.

LED CHIP: SMD 4014 - CRI>80 - L70B10/50.000H - 120 lm/W (4000K) - RG1



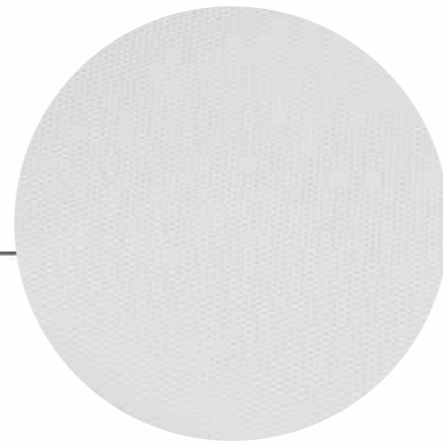
The above information is basic. For updated and more accurate information, please consult Technical Data Sheet on [www.jisoiluminacion.com](http://www.jisoiluminacion.com)  
Consult general issues - [www.jisoiluminacion.com](http://www.jisoiluminacion.com) (Download - Technical Information)



High Efficiency. 160 lm/W



Micro Prismatic Diffuser UGR<17



CRI 90



Multipower



26W  
3241 lm

30W  
3726 lm

33W  
4237 lm

37W  
4634 lm

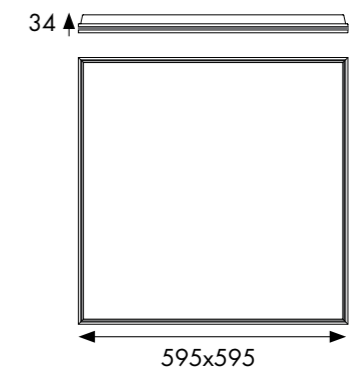
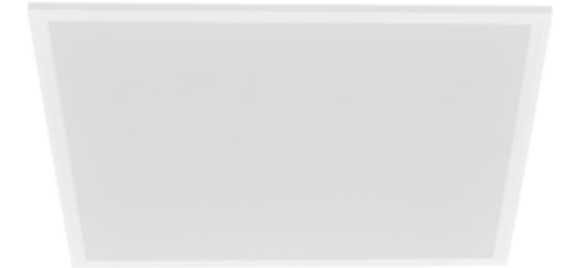
*It should be considered that panels with CRI>90 should not be placed together with CRI>80 panels, since, although the LED chips that integrate them have the same color temperature, the difference in CRI makes that, to the eye, they may appear to be different color temperatures.*

*Se debe considerar que los paneles con CRI>90 no deberían colocarse junto con paneles CRI>80, ya que, aunque los chips LED que lo integran tengan la misma temperatura de color, la diferencia de CRI hace que, a la vista, puedan parecer temperaturas de color distintas.*

*Il faut considérer que les panneaux avec CRI>90 ne doivent pas être mis ensemble avec ceux qui ont CRI>80, car, même si les puces LED ont la même température de la couleur, la différence de CRI provoque, à l'œil, des différences visibles de la couleur.*

## 39837

Panel LED (para techo Armstrong). Mayor eficiencia y CRI>90  
Panel LED (for Armstrong Ceiling). High efficiency and CRI>90  
Panneau LED (pour toit Armstrong). Efficacité accrue et CRI>90



### 398 37 - 29 8 4 - 90

1 - Model	2 - W	3 - Driver	4 - Brand Chip	5 - K	6 - Color	▼ Accessories not included
398	26 30 33 37	29 - ON-OFF AC220-240V PF >0,9	8 - Sanan	4 - 4000 26W- 3241 Lm System 30W- 3726 Lm System 33W- 4237 Lm System 37W- 4634 Lm System 5210 Lm Source	90 T. White / Blanco T. / Blanc T.	Emergency Kit 2DCLEDK1 1 h 2DCLEDK2 3 h 2DCLEDK5 3 h 2DCLEDK29 3 h

LED CHIP: SMD 2835 - CRI>90 - L80B10 / 50.000H - 160lm/W - RG1

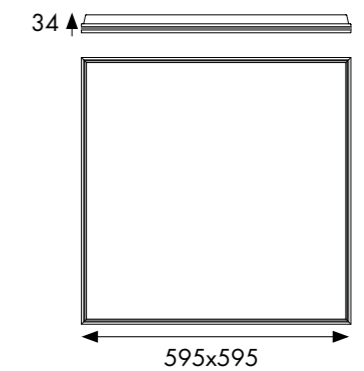


The above information is basic. For updated and more accurate information, please consult Technical Data Sheet on [www.jisoiluminacion.com](http://www.jisoiluminacion.com)  
Consult general issues - [www.jisoiluminacion.com](http://www.jisoiluminacion.com) (Download - Technical Information)  
Consult Instructions Emergency kit on [www.jisoiluminacion.com](http://www.jisoiluminacion.com)



32940

Panel LED (para Techo Armstrong) especial UGR<17  
 Panel LED (for Armstrong Ceiling) especial UGR<17  
 Panneau LED (pour toit Armstrong) UGR<17



329 40 - 29 8 4 - 90

1 - Model	2 - W	3 - Driver	4 - Brand Chip	5 - K	6 - Color
329	40	<ul style="list-style-type: none"> <li>29 - ON-OFF AC220-240V PF &gt;0,9</li> <li>21 - ON-OFF AC220-240V PF &gt;0,9</li> <li>23 - ON-OFF AC220-240V PF &gt;0,95</li> <li>37 - 1-10V AC200-240V PF &gt;0,95</li> <li>51 - Trailing Edge (36W) AC220-240V PF &gt;0,9</li> <li>D7 - DALI/PUSH AC200-240V PF &gt;0,95</li> <li>SMART CONTROL See Page. 414</li> </ul>	8 - Sanan	<ul style="list-style-type: none"> <li>3 - 3000 3903 Lm System 4882 Lm Source</li> <li>4 - 4000 4024 Lm System 4882 Lm Source</li> <li>6 - 6500 4265 Lm System 4882 Lm Source</li> </ul>	90 T. White / Blanco T. / Blanc T.

▼ Accessories not included

Emergency Kit	
2DCLEDK1	1 h
2DCLEDK2	3 h
2DCLEDK5	3 h
2DCLEDK29	3 h

LED CHIP: SMD 2835 - CRI>80 - L80B10 / 54.000H - 136lm/W (4000K) - RG0



The above information is basic. For updated and more accurate information, please consult Technical Data Sheet on [www.jisoiluminacion.com](http://www.jisoiluminacion.com)  
 Consult general issues - [www.jisoiluminacion.com](http://www.jisoiluminacion.com) (Download - Technical Information)  
 Consult Instructions Emergency kit on [www.jisoiluminacion.com](http://www.jisoiluminacion.com)  
 Consult instructions to Driver configuration - page 470  
 Consult instructions to Driver dimmable Trailing Edge, 1-10V, DALI and Push - [www.jisoiluminacion.com](http://www.jisoiluminacion.com) (Download - Technical Information)  
 Consult instructions to Driver dimmable Smart Control - page 414



Backlight



Anti-Glare Panel (Micro Prismatic Diffuser)

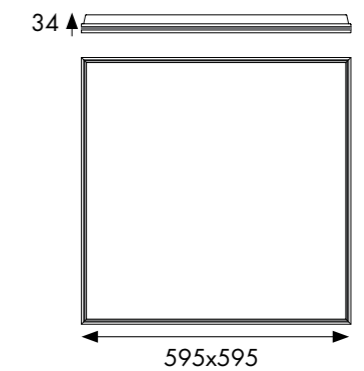


High Quality Driver & Not Flickering



## 32428

Panel LED (para Techo Armstrong) especial UGR<17  
Panel LED (for Armstrong Ceiling) especial UGR<17  
Panneau LED (pour toit Armstrong) UGR<17



## 324 28 - 21 8 4 - 90

1 - Model	2 - W	3 - Driver	4 - Brand Chip	5 - K	6 - Color
324	28	21 - ON-OFF AC220-240V PF >0,9	8 - Sanan	4 - 4000 2854 Lm System 3417 Lm Source	90 T. White / Blanco T. / Blanc T.

▼ Accessories not included

Emergency Kit	
2DCLEDK1	1 h
2DCLEDK2	3 h
2DCLEDK5	3 h
2DCLEDK29	3 h

Driver de alta calidad, sin Flicker.

High Quality Driver & Not Flickering

Más horas de uso, pantalla diseñada para instalaciones como pasillos, vestíbulos, ...

More hours of use, led panel designed for installations such as corridors, halls, ...

Producto especialmente diseñado para facilitar el uso intensivo y mejorar, en condiciones normales de funcionamiento, la vida útil de la pantalla.

Product specially designed to facilitate intensive use and improve, under normal operating conditions, the useful life of the screen.

LED CHIP: SMD 2835 - CRI>80 - L80B10/54.000H - 136 lm/W (4000K) - RG1



The above information is basic. For updated and more accurate information, please consult Technical Data Sheet on [www.jisoiluminacion.com](http://www.jisoiluminacion.com)  
Consult general issues - [www.jisoiluminacion.com](http://www.jisoiluminacion.com) (Download - Technical Information)  
Consult Instructions Emergency kit on [www.jisoiluminacion.com](http://www.jisoiluminacion.com)

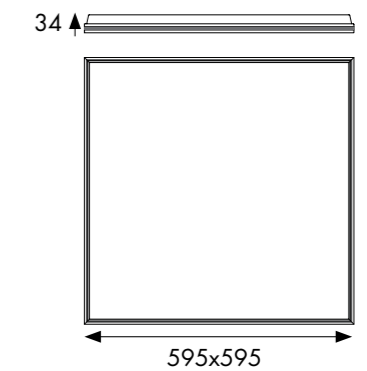
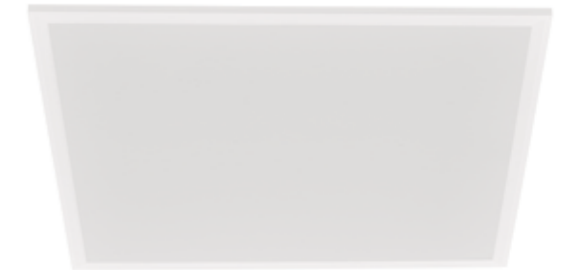


## 32440

Panel LED (para Techo Armstrong) especial UGR<19  
Panel LED (for Armstrong Ceiling) especial UGR<19  
Panneau LED (pour toit Armstrong) UGR<19



Dark areas can be visible when the dimming level is lower than 40%



### 324 40 - 29 8 4 - 90

1 2 3 4 5 6

1 - Model	2 - W	3 - Driver	4 - Brand Chip	5 - K	6 - Color
324	40	<ul style="list-style-type: none"> <li>29 - ON-OFF AC220-240V PF &gt;0,9</li> <li>21 - ON-OFF AC220-240V PF &gt;0,9</li> <li>23 - ON-OFF AC220-240V PF &gt;0,95</li> <li>37 - 1-10V AC200-240V PF &gt;0,9</li> <li>51 - Trailing Edge (36W) AC220-240V PF &gt;0,9</li> <li>D7 - DALI/PUSH AC200-240V PF &gt;0,95</li> <li>SMART CONTROL See Page. 414</li> </ul>	8 - Sanan	<ul style="list-style-type: none"> <li>3 - 3000 3932 Lm System 4882 Lm Source</li> <li>4 - 4000 4054 Lm System 4882 Lm Source</li> <li>6 - 6500 4297 Lm System 4882 Lm Source</li> </ul>	90 T. White / Blanco T. / Blanc T.

▼ Accessories not included

Emergency Kit	
2DCLEDK1	1 h
2DCLEDK2	3 h
2DCLEDK5	3 h
2DCLEDK29	3 h

LED CHIP: SMD 2835 - CRI>80 - L80B10 / 54.000H - 136m/w (4000K) - RGO



The above information is basic. For updated and more accurate information, please consult Technical Data Sheet on [www.jisoiluminacion.com](http://www.jisoiluminacion.com)  
Consult general issues - [www.jisoiluminacion.com](http://www.jisoiluminacion.com) (Download - Technical Information)  
Consult Instructions Emergency kit on [www.jisoiluminacion.com](http://www.jisoiluminacion.com)  
Consult instructions to Driver configuration - page 470  
Consult instructions to Driver dimmable Trailing Edge, 1-10V, DALI and Push - [www.jisoiluminacion.com](http://www.jisoiluminacion.com) (Download - Technical Information)  
Consult instructions to Driver dimmable Smart Control - page 414

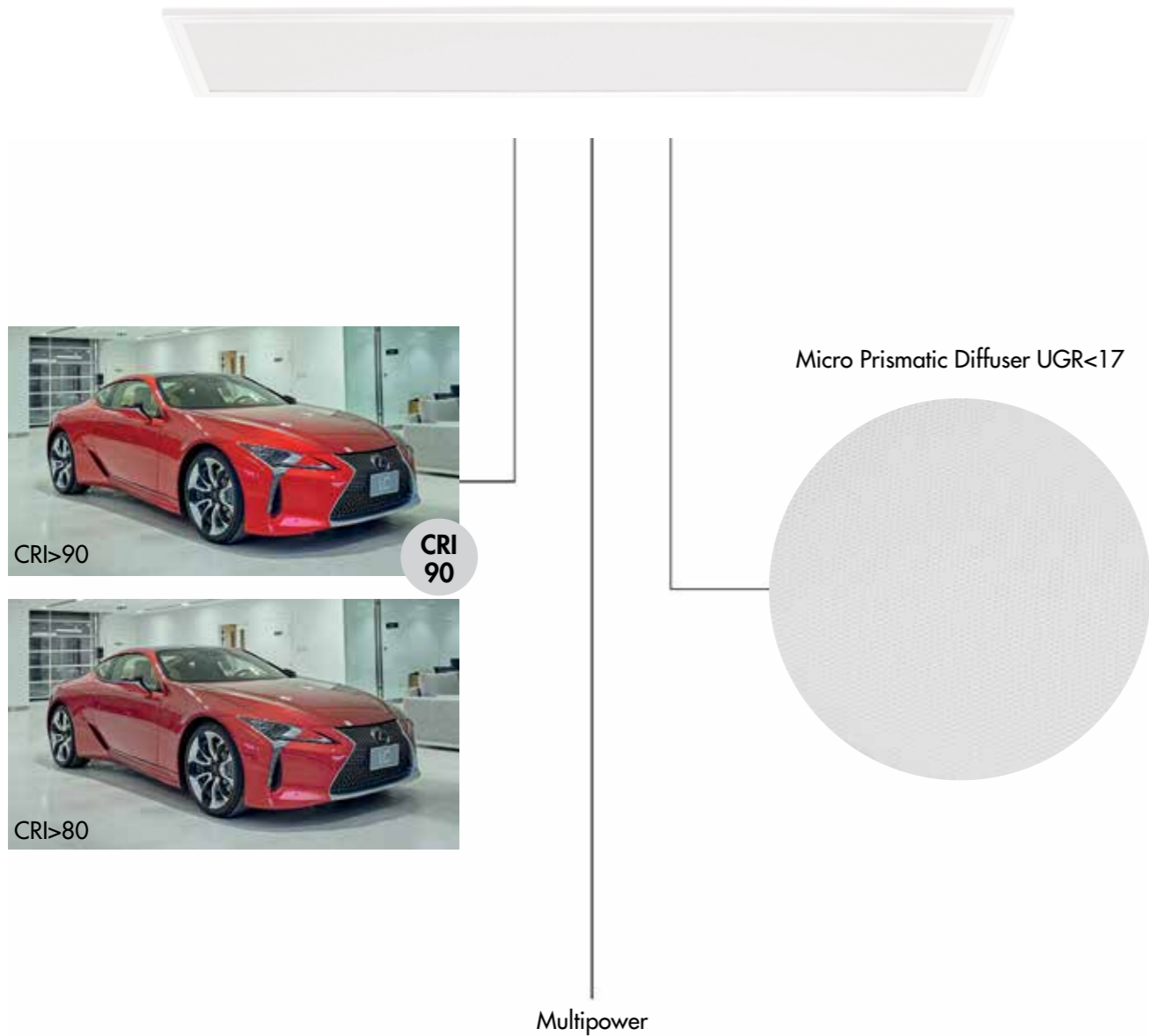


High Quality Driver & Not Flickering



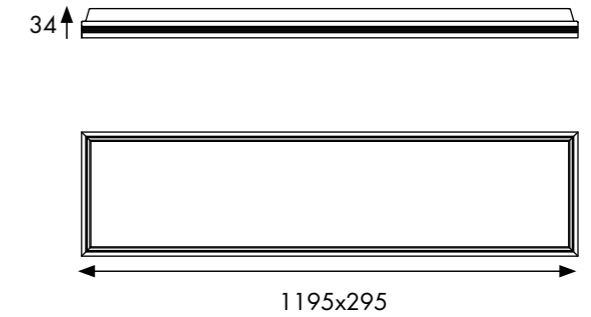
Backlight

High Efficiency. 160 lm/W



39137

Panel LED (para techo Armstrong). Mayor eficiencia y CRI>90  
 Panel LED (for Armstrong Ceiling). High efficiency and CRI>90  
 Panneau LED (pour toit Armstrong). Efficacité accrue et CRI>90



391 37 - 29 8 4 - 90  
 1 2 3 4 5 6

1 - Model	2 - W	3 - Driver	4 - Brand Chip	5 - K	6 - Color	▼ Accessories not included
391	26 30 33 37	29 - ON-OFF AC220-240V PF >0,9	8 - Sanan	4 - 4000 26W- 3342 Lm System 30W- 3719 Lm System 33W- 4063 Lm System 37W- 4339 Lm System 5210 Lm Source	90 T. White / Blanco T. / Blanc T.	Emergency Kit 2DCLEDK1 1 h 2DCLEDK2 3 h 2DCLEDK5 3 h 2DCLEDK29 3 h

LED CHIP: SMD 2835 - CRI>90 - L80B10/50.000H - 160 lm/W - RG1



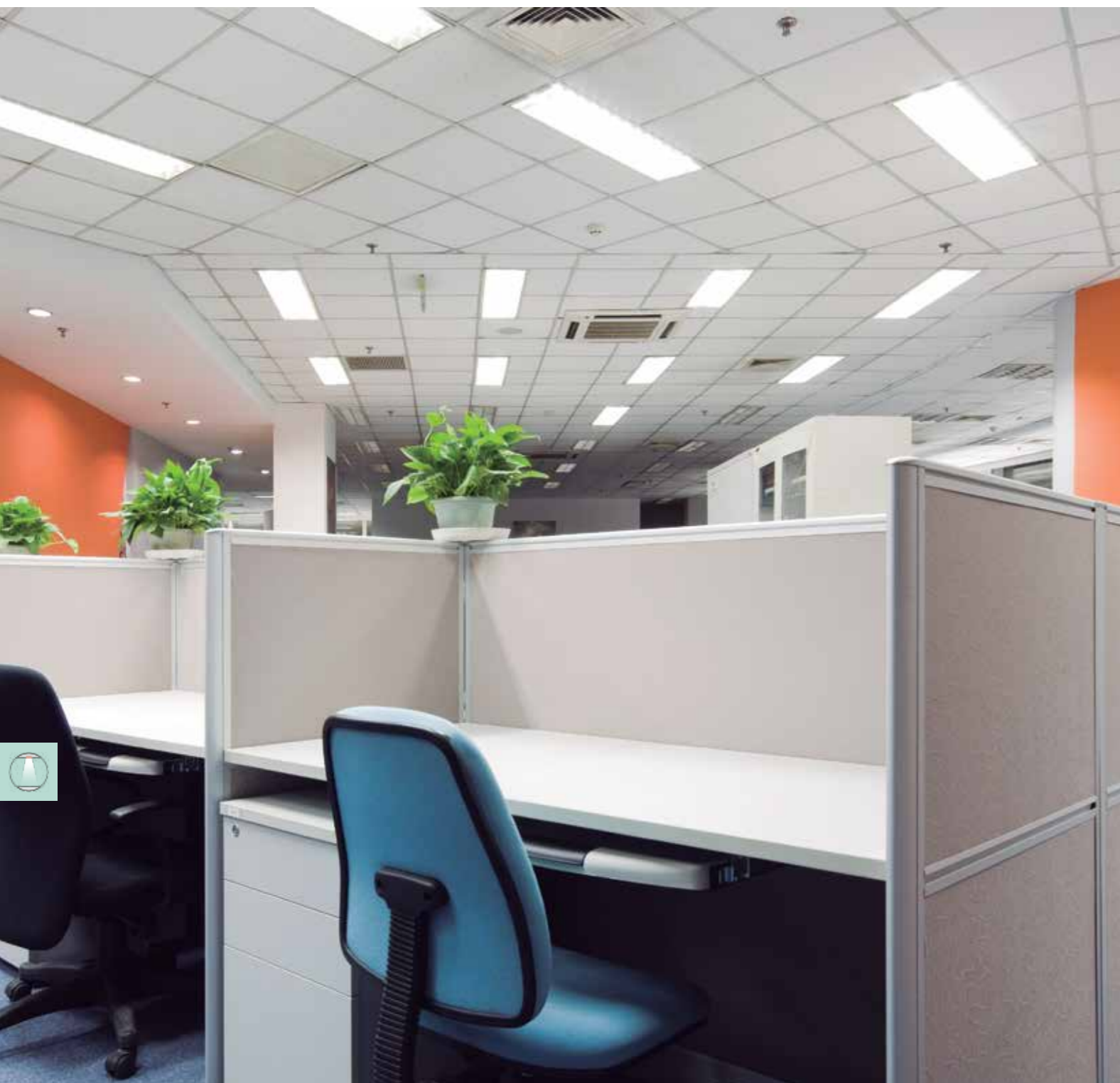
The above information is basic. For updated and more accurate information, please consult Technical Data Sheet on [www.jisoiluminacion.com](http://www.jisoiluminacion.com)  
 Consult general issues - [www.jisoiluminacion.com](http://www.jisoiluminacion.com) (Download - Technical Information)  
 Consult Instructions Emergency kit on [www.jisoiluminacion.com](http://www.jisoiluminacion.com)

*It should be considered that panels with CRI>90 should not be placed together with CRI>80 panels, since, although the LED chips that integrate them have the same color temperature, the difference in CRI makes that, to the eye, they may appear to be different color temperatures.*

*Se debe considerar que los paneles con CRI>90 no deberían colocarse junto con paneles CRI>80, ya que, aunque los chips LED que lo integran tengan la misma temperatura de color, la diferencia de CRI hace que, a la vista, puedan parecer temperaturas de color distintas.*

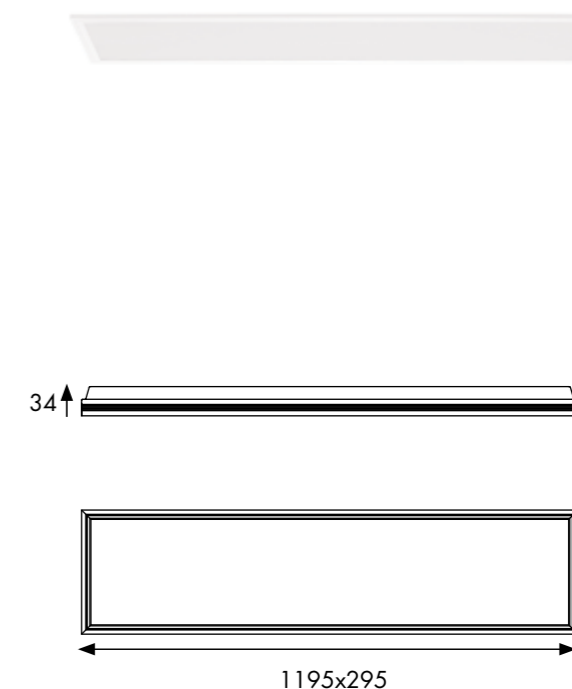
*Il faut considérer que les panneaux avec CRI>90 ne doivent pas être misent ensemble avec ceux qui ont CRI>80, car, même si les puces LED ont la même température de la couleur, la différence de CRI provoque, à l'œil, des différences visibles de la couleur.*





## 32740

Panel LED (para Techo Armstrong) especial UGR<17  
Panel LED (for Armstrong Ceiling) especial UGR<17  
Panneau LED (pour toit Armstrong) UGR<17



### 327 40 - 29 8 4 - 90

1 - Model	2 - W	3 - Driver	4 - Brand Chip	5 - K	6 - Color
327	40	<ul style="list-style-type: none"> <li>⏻ 29 - ON-OFF AC220-240V PF &gt;0,9</li> <li>⏻ 21 - ON-OFF AC220-240V PF &gt;0,9</li> <li>⏻ 23 - ON-OFF AC220-240V PF &gt;0,95</li> <li>⚡ 37 - 1-10V AC220-240V PF &gt;0,95</li> <li>⚡ 51 - Trailing Edge (36W) AC220-240V PF &gt;0,9</li> <li>⚡ D7 - DALI/PUSH AC220-240V PF &gt;0,95</li> <li>⚡ SMART CONTROL See Page. 414</li> </ul>	8 - Sanan	4 - 4000 3991 Lm System 4882 Lm Source	90 T. White / Blanco T. / Blanc T.

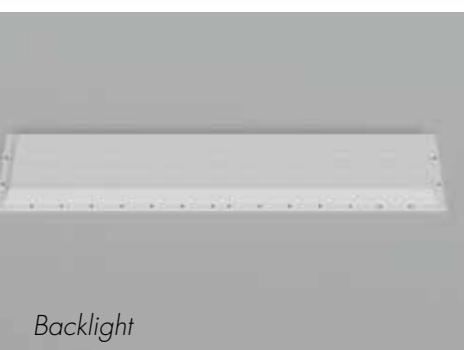
▼ Accessories not included

Emergency Kit	
2DCLEDK1	1 h
2DCLEDK2	3 h
2DCLEDK5	3 h
2DCLEDK29	3 h

LED CHIP: SMD 2835 - CRI>80 - L80B10 / 54.000H - 136lm/W (4000K) - RG1



The above information is basic. For updated and more accurate information, please consult Technical Data Sheet on [www.jisoiluminacion.com](http://www.jisoiluminacion.com)  
Consult general issues - [www.jisoiluminacion.com](http://www.jisoiluminacion.com) (Download - Technical Information)  
Consult Instructions Emergency kit on [www.jisoiluminacion.com](http://www.jisoiluminacion.com)  
Consult instructions to Driver configuration - page 470  
Consult instructions to Driver dimmable Trailing Edge, 1-10V, DALI and Push - [www.jisoiluminacion.com](http://www.jisoiluminacion.com) (Download - Technical Information)  
Consult instructions to Driver dimmable Smart Control - page 414



Backlight



Anti-Glare Panel  
(Micro Prismatic Diffuser)

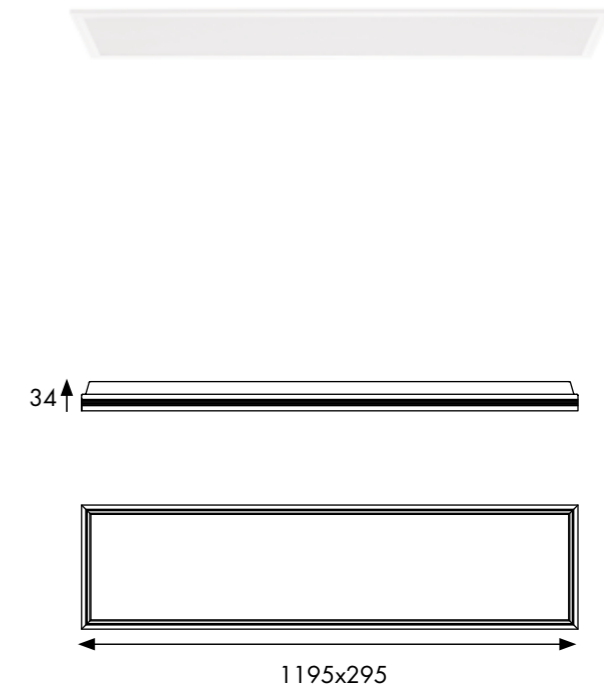


High Quality Driver & Not Flickering



## 32128

Panel LED (para Techo Armstrong) especial UGR<17  
 Panel LED (for Armstrong Ceiling) especial UGR<17  
 Panneau LED (pour toit Armstrong) UGR<17



## 321 28 - 21 8 4 - 90

1 - Model	2 - W	3 - Driver	4 - Brand Chip	5 - K	6 - Color
321	28	⏻ 21 - ON-OFF AC220-240V PF >0,9	8 - Sanan	4 - ■ 4000 2794 Lm System 3417 Lm Source	90 T. White / Blanco T. / Blanc T.

▼ Accessories not included

Emergency Kit	
2DCLEDK1	1 h
2DCLEDK2	3 h
2DCLEDK5	3 h
2DCLEDK29	3 h

Driver de alta calidad, sin Flicker.

High Quality Driver & Not Flickering

Más horas de uso, pantalla diseñada para instalaciones como pasillos, vestíbulos, ...

More hours of use, led panel designed for installations such as corridors, halls, ...

Producto especialmente diseñado para facilitar el uso intensivo y mejorar, en condiciones normales de funcionamiento, la vida útil de la pantalla.

Product specially designed to facilitate intensive use and improve, under normal operating conditions, the useful life of the screen.

LED CHIP: SMD 2835 - CRI>80 - L80B10/54.000H - 136 lm/W (4000K) - RG1

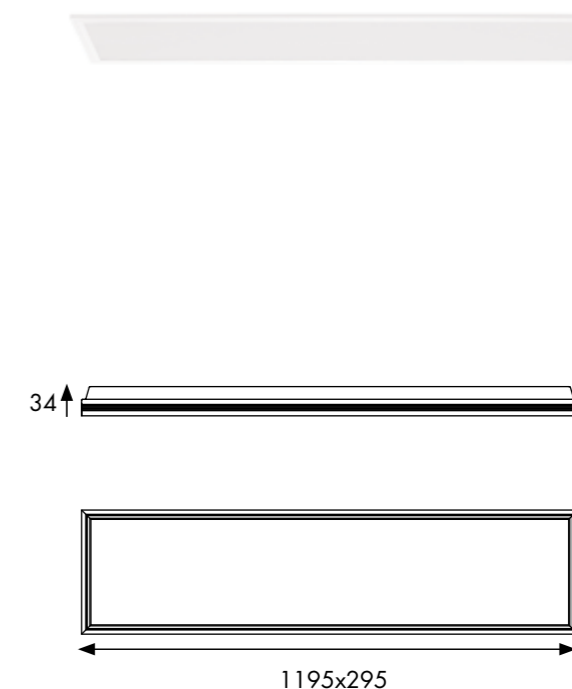


The above information is basic. For updated and more accurate information, please consult Technical Data Sheet on [www.jisoiluminacion.com](http://www.jisoiluminacion.com)  
 Consult general issues - [www.jisoiluminacion.com](http://www.jisoiluminacion.com) (Download - Technical Information)  
 Consult Instructions Emergency kit on [www.jisoiluminacion.com](http://www.jisoiluminacion.com)



## 32140

Panel LED (para Techo Armstrong) especial UGR<19  
Panel LED (for Armstrong Ceiling) especial UGR<19  
Panneau LED (pour toit Armstrong) UGR<19



### 321 40 - 29 8 4 - 90

1 - Model	2 - W	3 - Driver	4 - Brand Chip	5 - K	6 - Color
321	40	<ul style="list-style-type: none"> <li>⏻ 29 - ON-OFF AC220-240V PF &gt;0,9</li> <li>⏻ 21 - ON-OFF AC220-240V PF &gt;0,9</li> <li>⏻ 23 - ON-OFF AC220-240V PF &gt;0,95</li> <li>▲ 37 - 1-10V AC200-240V PF &gt;0,95</li> <li>▲ 51 - Trailing Edge (36W) AC220-240V PF &gt;0,9</li> <li>▲ D7 - DALI/PUSH AC200-240V PF &gt;0,95</li> <li>▲ SMART CONTROL See Page. 414</li> </ul>	8 - Sanan	4 - 4000 3991 Lm System 4882 Lm Source	90 T. White / Blanco T. / Blanc T.

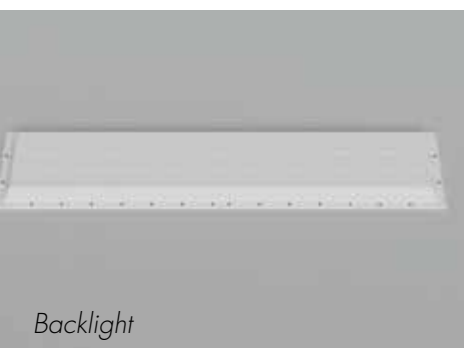
▼ Accessories not included

Emergency Kit	
2DCLEDK1	1 h
2DCLEDK2	3 h
2DCLEDK5	3 h
2DCLEDK29	3 h

LED CHIP: SMD 2835 - CRI>80 - L80B10 / 54.000H - 136lm/W (4000K) - RG1



The above information is basic. For updated and more accurate information, please consult Technical Data Sheet on [www.jisoiluminacion.com](http://www.jisoiluminacion.com)  
Consult general issues - [www.jisoiluminacion.com](http://www.jisoiluminacion.com) (Download - Technical Information)  
Consult Instructions Emergency kit on [www.jisoiluminacion.com](http://www.jisoiluminacion.com)  
Consult instructions to Driver configuration - page 470  
Consult instructions to Driver dimmable Trailing Edge, 1-10V, DALI and Push - [www.jisoiluminacion.com](http://www.jisoiluminacion.com) (Download - Technical Information)  
Consult instructions to Driver dimmable Smart Control - page 414



Backlight



Anti-Glare Panel  
(Micro Prismatic Diffuser)



High Quality Driver & Not Flickering



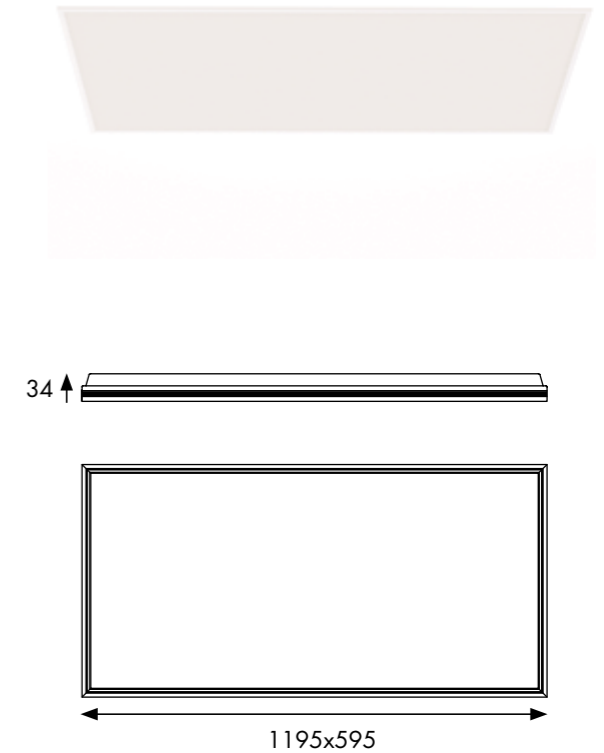
## 32980

Panel LED (para Techo Armstrong) especial UGR<17  
Panel LED (for Armstrong Ceiling) especial UGR<17  
Panneau LED (pour toit Armstrong) UGR<17



### 2 Driver included

\*one EMK for each driver if necessary



## 329 80 - 29 8 4 - 90

1 - Model	2 - W	3 - Driver	4 - Brand Chip	5 - K	6 - Color
329	80	<ul style="list-style-type: none"> <li>⏻ 29 - ON-OFF AC220-240V PF &gt;0,9</li> <li>⏻ 21 - ON-OFF AC220-240V PF &gt;0,9</li> <li>⏻ 23 - ON-OFF AC220-240V PF &gt;0,95</li> <li>▲ 37 - 1-10V AC200-240V PF &gt;0,95</li> <li>▲ 51 - Trailing Edge (72W) AC220-240V PF &gt;0,9</li> <li>▲ D7 - DALI/PUSH AC200-240V PF &gt;0,95</li> <li>▲ SMART CONTROL See Page. 414</li> </ul>	8 - Sanan	<ul style="list-style-type: none"> <li>4 - ■ 4000 8099 Lm System 10017 Lm Source</li> </ul>	90 T. White / Blanco T. / Blanc T.

#### ▼ Accessories not included

Emergency Kit	
2DCLEDK1	1 h
2DCLEDK2	3 h
2DCLEDK5	3 h
2DCLEDK29	3 h

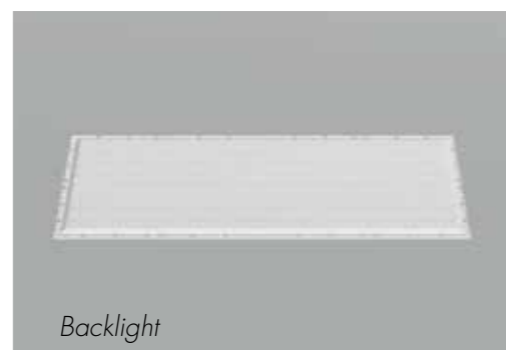
LED CHIP: SMD 2835 - CRI>80 - L80B10 / 54.000H - 139lm/W (4000K) - RG1



The above information is basic. For updated and more accurate information, please consult Technical Data Sheet on [www.jisoiluminacion.com](http://www.jisoiluminacion.com)  
 Consult general issues - [www.jisoiluminacion.com](http://www.jisoiluminacion.com) (Download - Technical Information)  
 Consult Instructions Emergency kit on [www.jisoiluminacion.com](http://www.jisoiluminacion.com)  
 Consult instructions to Driver configuration - page 470  
 Consult instructions to Driver dimmable Trailing Edge, 1-10V, DALI and Push - [www.jisoiluminacion.com](http://www.jisoiluminacion.com) (Download - Technical Information)  
 Consult instructions to Driver dimmable Smart Control - page 414



Anti-Glare Panel  
(Micro Prismatic Diffuser)



Backlight



High Quality Driver & Not Flickering



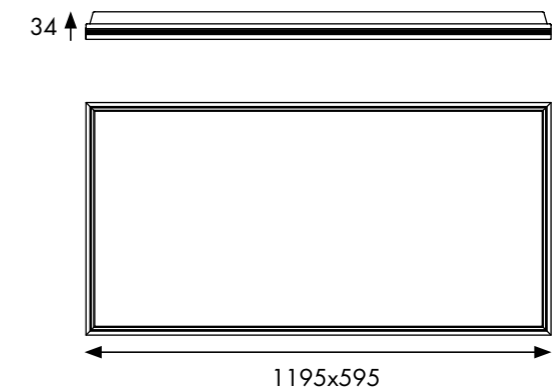
## 32256

Panel LED (para Techo Armstrong) especial UGR<19  
Panel LED (for Armstrong Ceiling) especial UGR<19  
Panneau LED (pour toit Armstrong) UGR<19



### 2 Driver included

\*one EMK for each driver if necessary



## 322 56 - 21 8 4 - 90

1 - Model	2 - W	3 - Driver	4 - Brand Chip	5 - K	6 - Color
322	56	21 - ON-OFF AC220-240V PF >0,9	8 - Sanan	4 - 4000 5619 Lm System 7006 Lm Source	90 T. White / Blanco T. / Blanc T.

### ▼ Accessories not included

Emergency Kit	
2DCLEDK1	1 h
2DCLEDK2	3 h
2DCLEDK5	3 h
2DCLEDK29	3 h

Driver de alta calidad, sin Flicker.

High Quality Driver & Not Flickering

Más horas de uso, pantalla diseñada para instalaciones como pasillos, vestíbulos, ...

More hours of use, led panel designed for installations such as corridors, halls, ...

Producto especialmente diseñado para facilitar el uso intensivo y mejorar, en condiciones normales de funcionamiento, la vida útil de la pantalla.

Product specially designed to facilitate intensive use and improve, under normal operating conditions, the useful life of the screen.

LED CHIP: SMD 2835 - CRI>80 - L80B10/54.000H - 139 lm/W (4000K) - RG1



The above information is basic. For updated and more accurate information, please consult Technical Data Sheet on [www.jisoiluminacion.com](http://www.jisoiluminacion.com)  
Consult general issues - [www.jisoiluminacion.com](http://www.jisoiluminacion.com) (Download - Technical Information)  
Consult Instructions Emergency kit on [www.jisoiluminacion.com](http://www.jisoiluminacion.com)



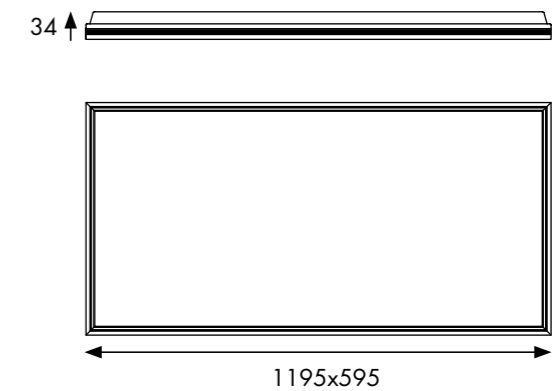
## 32280

Panel LED (para Techo Armstrong)  
Panel LED (for Armstrong Ceiling)  
Panneau LED (pour toit Armstrong)



### 2 Driver included

\*one EMK for each driver if necessary



## 322 80 - 29 8 4 - 90

1 - Model	2 - W	3 - Driver	4 - Brand Chip	5 - K	6 - Color
322	80	<ul style="list-style-type: none"> <li>⏻ 29 - ON-OFF AC220-240V PF &gt;0,9</li> <li>⏻ 21 - ON-OFF AC220-240V PF &gt;0,9</li> <li>⏻ 23 - ON-OFF AC220-240V PF &gt;0,95</li> <li>▲ 37 - 1-10V AC200-240V PF &gt;0,95</li> <li>▲ 51 - Trailing Edge (72W) AC220-240V PF &gt;0,9</li> <li>▲ D7 - DALI/PUSH AC200-240V PF &gt;0,95</li> <li>▲ SMART CONTROL See Page. 414</li> </ul>	8 - Sanan	4 - 4000 8027 Lm System 10017 Lm Source	90 T. White / Blanco T. / Blanc T.

#### ▼ Accessories not included

Emergency Kit	
2DCLEDK1	1 h
2DCLEDK2	3 h
2DCLEDK5	3 h
2DCLEDK29	3 h

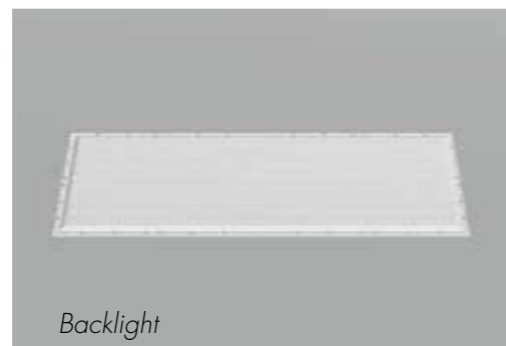
LED CHIP: SMD 2835 - CRI>80 - L80B10 / 54.000H - 139lm/w (4000K) - RG1



The above information is basic. For updated and more accurate information, please consult Technical Data Sheet on [www.jisoiluminacion.com](http://www.jisoiluminacion.com)  
 Consult general issues - [www.jisoiluminacion.com](http://www.jisoiluminacion.com) (Download - Technical Information)  
 Consult Instructions Emergency kit on [www.jisoiluminacion.com](http://www.jisoiluminacion.com)  
 Consult instructions to Driver configuration - page 470  
 Consult instructions to Driver dimmable Trailing Edge, 1-10V, DALI and Push - [www.jisoiluminacion.com](http://www.jisoiluminacion.com) (Download - Technical Information)  
 Consult instructions to Driver dimmable Smart Control - page 414



Anti-Glare Panel  
(Micro Prismatic Diffuser)



Backlight



High Quality Driver & Not Flickering

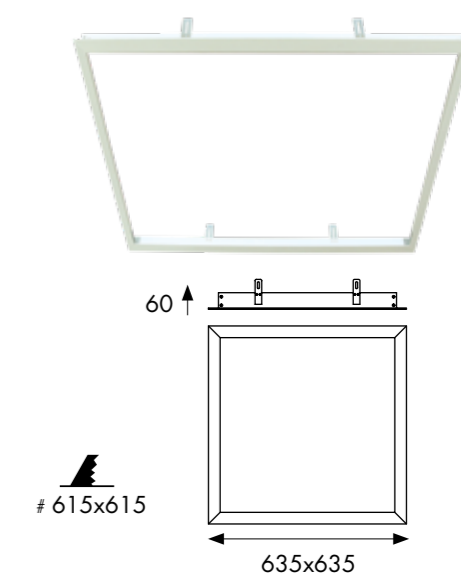


## DC3\_\_\_0-3

Marco de empotramiento para panel  
 Embedding frame for panel  
 Cadre pour encastrer panneau led

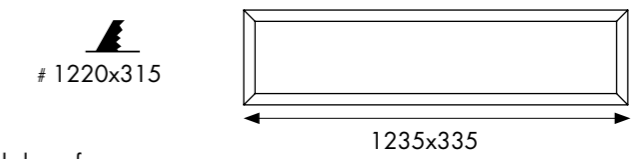
### DC30040-3 - 90

1 - Ref.	2 - Color	Accessories for below references
DC30040-3-	90 T. White /Blanco T. / Blanc T.	36540, 39837, 32940, 32428, 32440



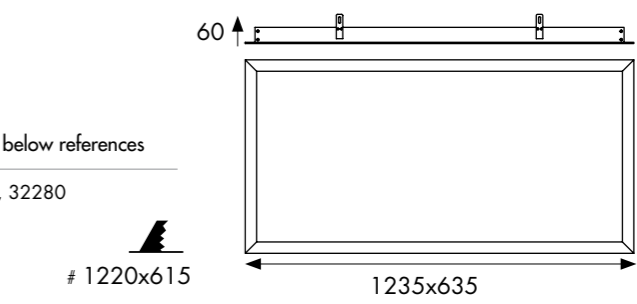
### DC30140-3 - 90

1 - Ref.	2 - Color	Accessories for below references
DC30140-3-	90 T. White /Blanco T. / Blanc T.	39137, 32740, 32128, 32140



### DC30180-3 - 90

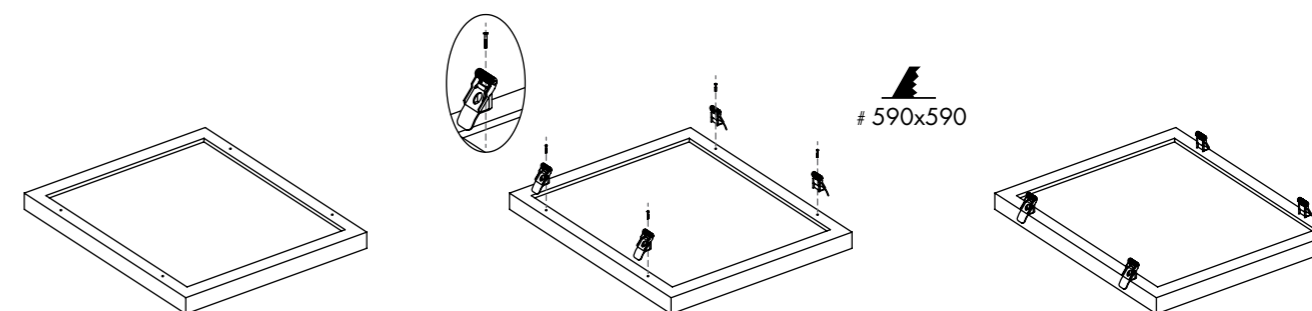
1 - Ref.	2 - Color	Accessories for below references
DC30180-3-	90 T. White /Blanco T. / Blanc T.	32980, 32256, 32280



The above information is basic. For updated and more accurate information, please consult Technical Data Sheet on [www.jisoiluminacion.com](http://www.jisoiluminacion.com)

## DC31036-2

Set de accesorios para empotramiento de paneles  
 Accessories set for panels embedding  
 Set d'accessoires pour encastrer les panneaux



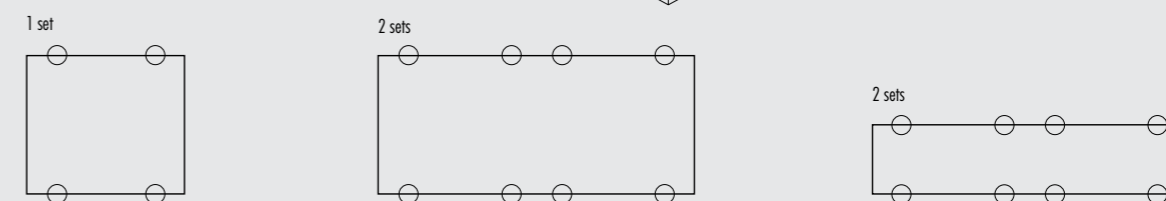
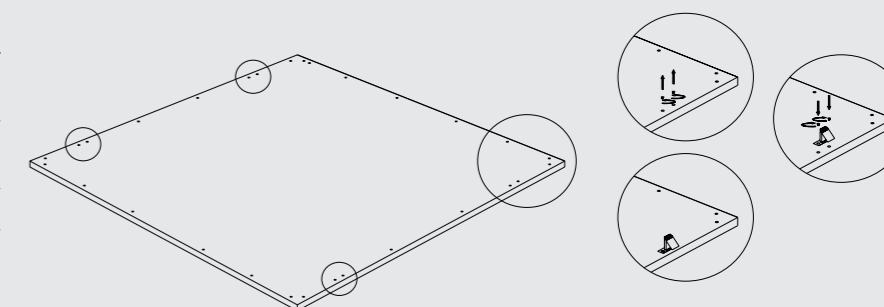
## DC31036-2

1 - Ref.	1 Set - Accessories for below references	2 Set - Accessories for below references
DC31036-2	36540, 39837, 32940, 32428, 32440	39137, 32740, 32128, 32140, 32980, 32256, 32280

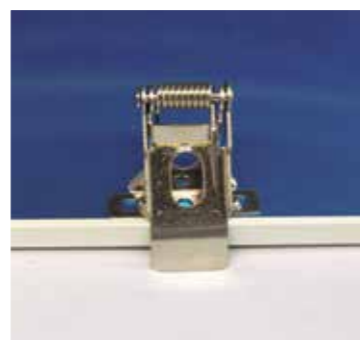
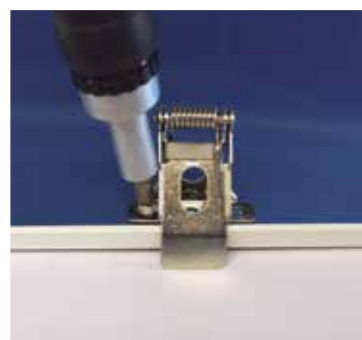


### Corte / Cut

36540, 39837, 32940, 32428, 32440	# 590x590 mm
39137, 32740, 32128, 32140	# 1190x290 mm
32980, 32256, 32280	# 1190x590 mm



The above information is basic. For updated and more accurate information, please consult Technical Data Sheet on [www.jisoiluminacion.com](http://www.jisoiluminacion.com)







## DC\_\_\_-4

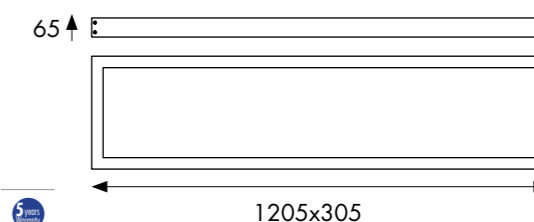
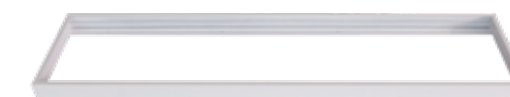
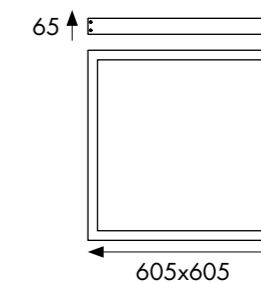
Marco de superficie  
Surface frame for panel  
Cadre en saillie pour panneau

### DC32440-4

1 - Ref.	2 - Color
DC32440-4	T. White /Blanco T. / Blanc T.
DC6060-4	T. White /Blanco T. / Blanc T.

Accessories for below references

36540, 39837, 32940, 32428, 32440	5 years warranty
36540, 38737, 32940, 32428, 32440	3 years warranty

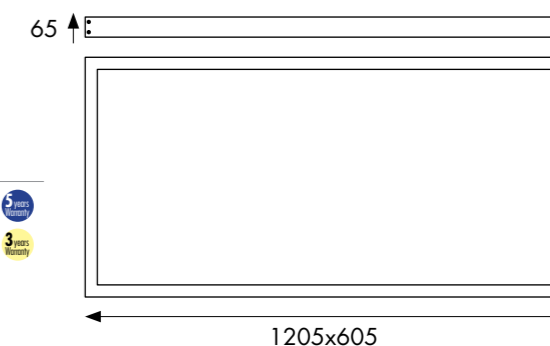


### DC32140-4

1 - Ref.	Color
DC32140-4	T. White /Blanco T. / Blanc T.
DC12030-4	T. White /Blanco T. / Blanc T.

Accessories for below references

39137, 32740, 32128, 32140	5 years warranty
39137, 2740, 32128, 32140	3 years warranty

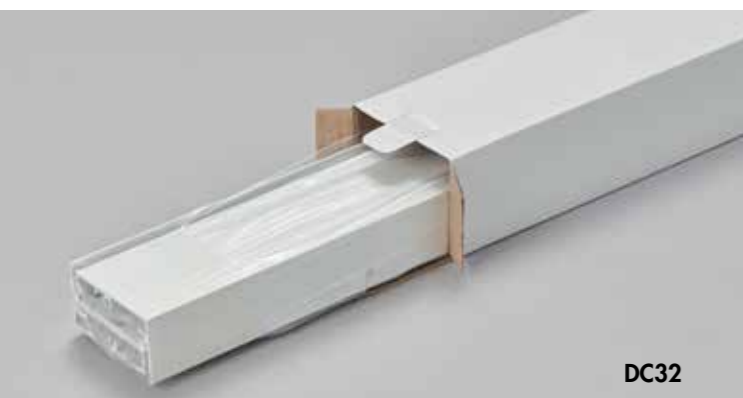
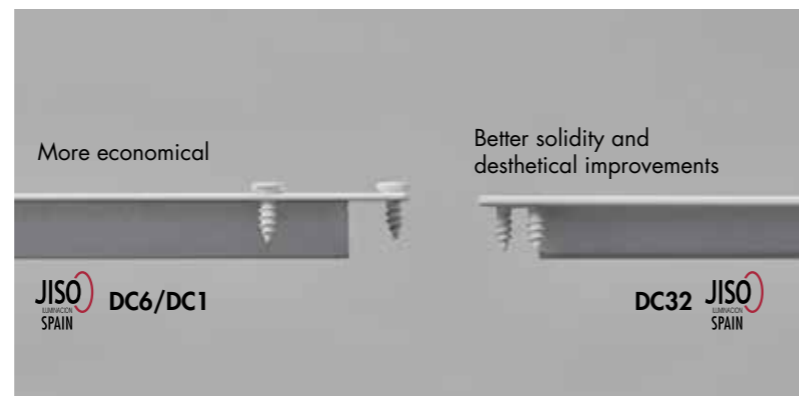


### DC32280-4

1 - Ref.	Color
DC32280-4	T. White /Blanco T. / Blanc T.
DC12060-4	T. White /Blanco T. / Blanc T.

Accessories for below references

32980, 32256, 32280	5 years warranty
32980, 32256, 32280	3 years warranty





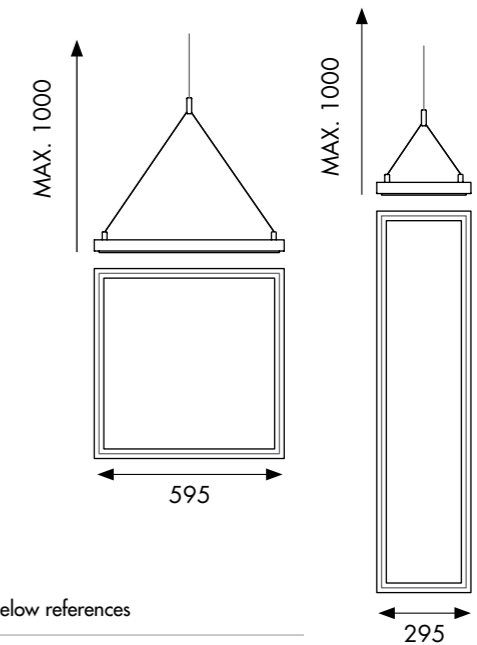
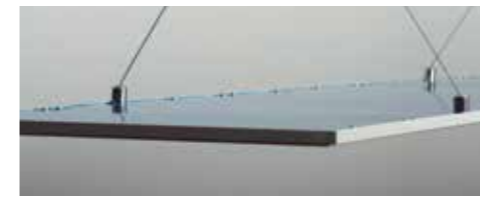
DC31036-1

**DC31036-1**

Accesorio para suspensión panel 600x600, 1200x600, 1200 y 300 (set 2 piezas)

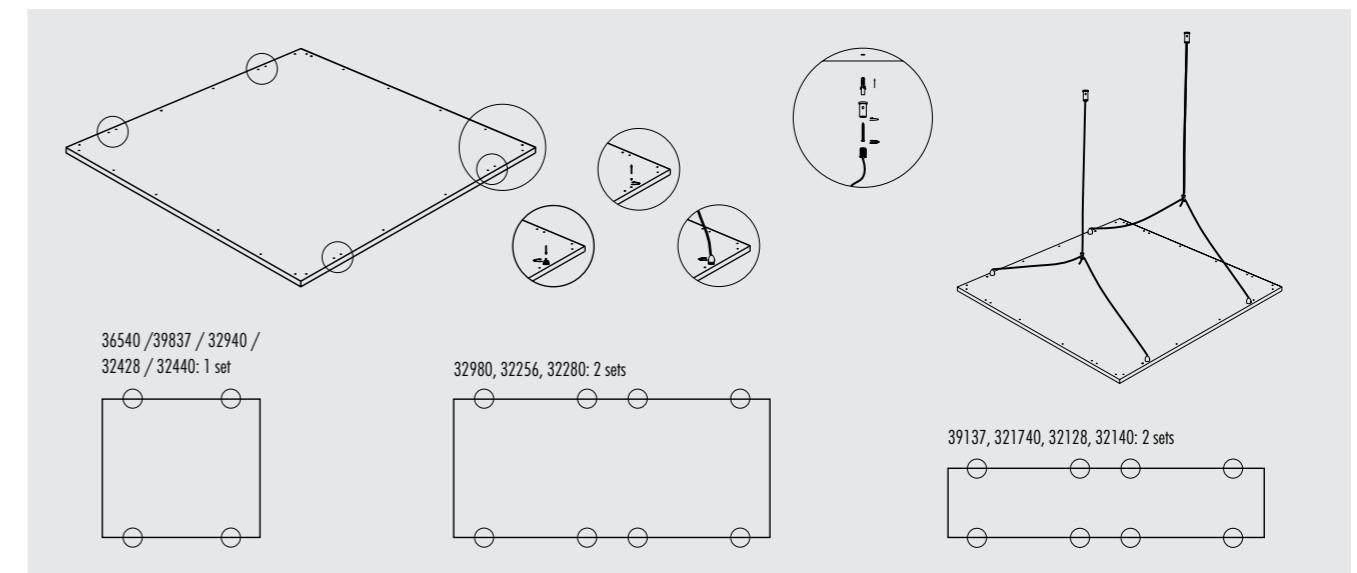
Accessory for pendant panel 600x600, 1200x600 and 1200x300 (set of 2 pieces)

Accessoire pour panneau en suspension 600x600, 1200x600 et 1200x300 (set 2 pièces)



**DC31036-1**

1 - Ref.	1 Set - Accessories for below references	2 Set - Accessories for below references
DC31036-1	36540, 39837, 32940, 32428, 32440	39137, 32740, 32128, 32140, 32980, 32256, 32280



The above information is basic. For updated and more accurate information, please consult Technical Data Sheet on [www.jisoiluminacion.com](http://www.jisoiluminacion.com)

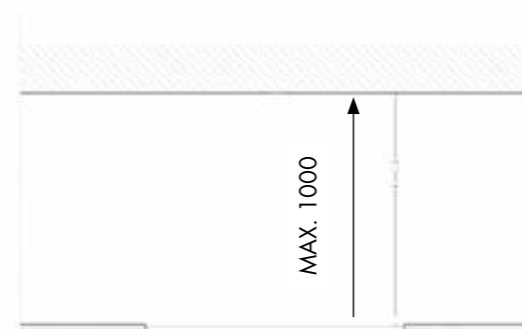


**DC31640-0**

Cable de seguridad para Panel de LED 600x600, 1200x300, 1200x600

Security cable for LED Panel 600x600, 1200x300, 1200x600

Câble de sécurité pour Panneau LED 600x600, 1200x300, 1200x600



**DC31640-0**

1 - Ref.	Accessories for below references
DC31640-0	36540, 39837, 32940, 32428, 32440, 39137, 32740, 32128, 32140, 32980, 32256, 32280



The above information is basic. For updated and more accurate information, please consult Technical Data Sheet on [www.jisoiluminacion.com](http://www.jisoiluminacion.com)

