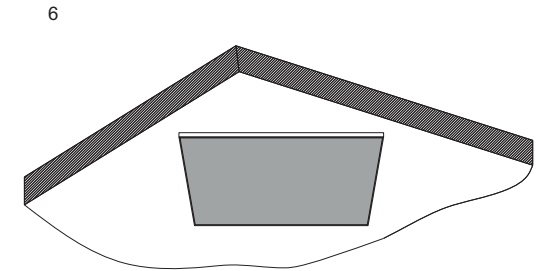
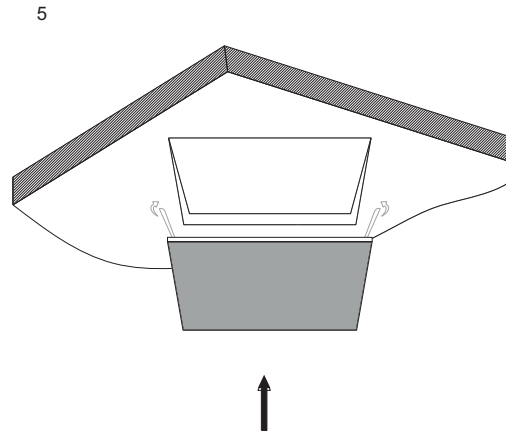
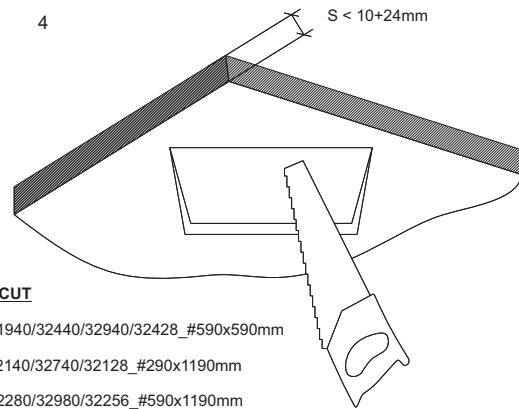
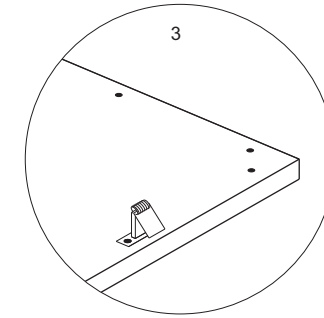
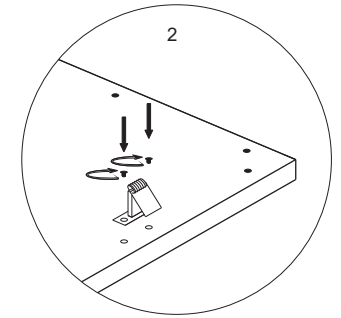
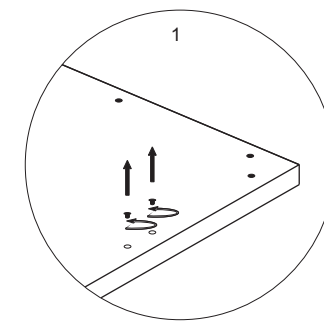
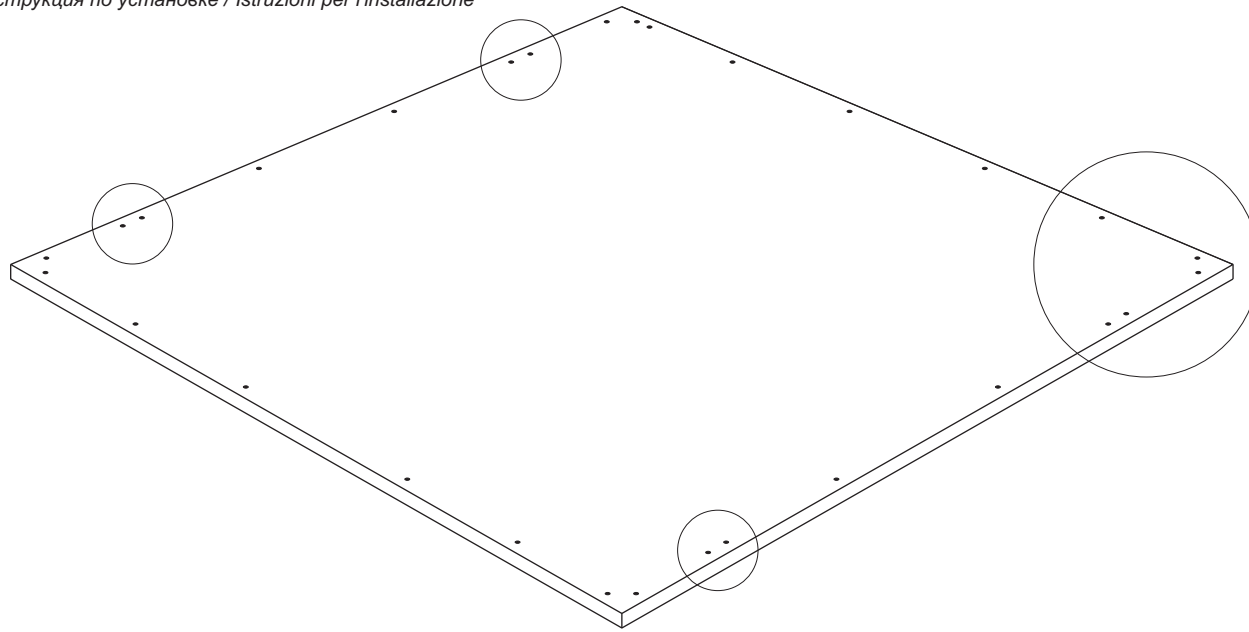


# Instrucciones de Instalación DC31036-2 V2

Installation Instructions / Notice de Montage / Instruções de Instalação / تعليمات التجميل  
Инструкция по установке / Istruzioni per l'installazione



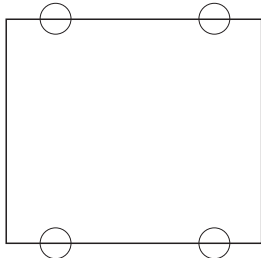
**CORTE/CUT**

31640/31940/32440/32940/32428\_#590x590mm

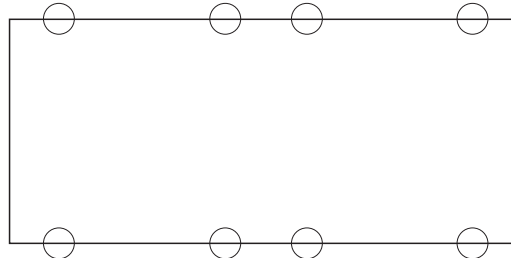
31140/32140/32740/32128\_#290x1190mm

31280/32280/32980/32256\_#590x1190mm

31640/31940/32440/32940/32428\_1sets



31280/32280/32980/32256\_2sets



31140/32140/32740/32128\_2sets

