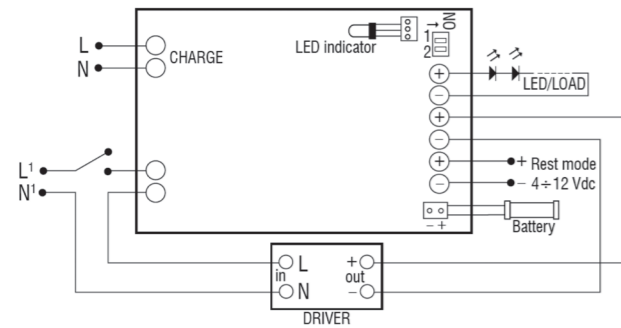
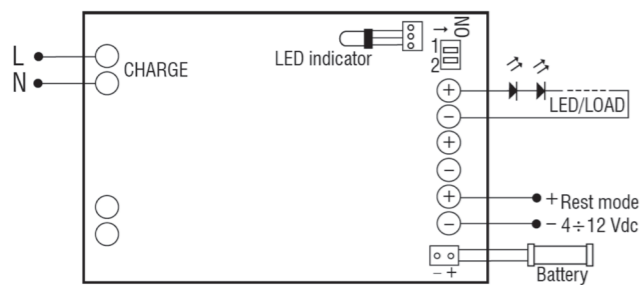


INSTALLATION OF EMERGENCY KIT ASSOCIATED TO LED LUMINARIES AND LED STRIPS (REF NO: 2DCLEDK1 Y 2DCLEDK2)

PERMANENT USE (the luminary operates normally with its driver and also under specific conditions when there is a general mains failure)



NON-PERMANENT USE (the luminary is installed without a driver and only works under specific conditions when there is a general mains failure)



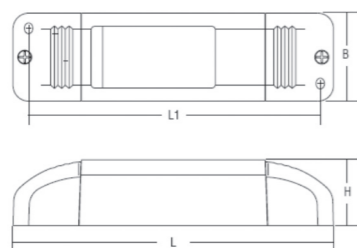
In the frequently asked questions section, you can find information on technical and installation conditions.

IMPORTANT: The LED luminary the emergency kit will be used for must be clearly indicated because when the LED luminary has been supplied by JISO ILUMINACIÓN, S.L., additional connector cables may be provided in order to avoid handling of the driver output and the luminary input.

WARNING: The LED luminary set + emergency kit do not make up official emergency units according to regulations. They simply provide you with a back-up luminary of between 3W and 7W when they become activated during failures of the general power supply.

Physical conditions

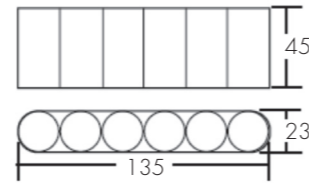
The units used as an emergency kit (2DCLEDK1 and 2DCLEDK2), as well as the batteries which may be used, have the following dimensions:



(mm)			
L	L1	B	H
166	150	47	35

Dimensions of 2DCLEDK1 and 2DCLEDK2

7,2V - 1,6Ah 300gr



Battery 2DCLEDK1 (mm)

7,2V - 4Ah 840gr



Battery 2DCLEDK2 (mm)

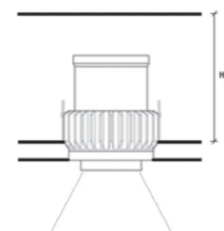
WARNING: Due to the aforementioned, it may be the case that, even if the luminary and the emergency kit are compatible, the unit and/or batteries won't fit the cut-out hole made for the LED luminary, and therefore will not be able to be installed together.

To avoid problems during installation, we urge you to pay attention to the following table of height restrictions of false ceilings in relation to the diameter of the hole. As well as the height restriction, you must allow for lateral access because if the false ceiling has obstacles, it may not be possible to insert the emergency kit.

(See following page)

HOLE DIAMETER (mm)	H ≥ 6cm	H ≥ 8cm	H ≥ 10cm	H ≥ 12cm	H ≥ 16cm
	2DCLEDK1 2DCLEDK2	2DCLEDK1 2DCLEDK2	2DCLEDK1 2DCLEDK2	2DCLEDK1 2DCLEDK2	2DCLEDK1 2DCLEDK2
Ø30 mm (ø #)	NO	NO	NO	NO	NO
Ø73 mm (ø #)	NO	NO	NO	NO	YES
Ø75 mm (ø #)	NO	NO	NO	NO	YES
Ø80 mm (ø #)	NO	NO	NO	NO	YES
Ø90 mm (ø #)	NO	NO	NO	YES	YES
Ø105 mm (ø #)	NO	NO	NO	YES	YES
Ø110 mm (ø #)	NO	NO	YES	YES	YES
Ø125 mm (ø #)	NO	NO	YES	YES	YES
Ø145 mm (ø #)	NO	YES	YES	YES	YES
>Ø165 mm (ø #)	YES	YES	YES	YES	YES

NOTE: Guideline values. If the hole diameter of your LED luminary is not shown in the table, please check the next lower figure (e.g. for Ø117mm refer to Ø110 mm).



LED Luminaire ceiling installation

IMPORTANT

- Please discharge completely the battery before the first use.
- For the wiring please refer to enclosed wiring diagrams.
- Great attention must be paid to polarity during the installation of the battery.
- Keep batteries away from heat source (away from magnetic battery).
- In order to check the correct functionality we recommend charging of about 30 hours.
- This system is made to be powered only with the supplied batteries: do not connect any external battery charger.
- It is advisable to effect periodically (every 3 months) at least one discharge and charge cycle in order to assure max. efficiency.
- Replace the batteries every 4 years or after 500 charge/discharge cycles.
- Before every maintenance operation, disconnect all mains.
- This product contains materials which could be toxic if improperly disposed in the environment.
- Storage max. 6 months before installing.